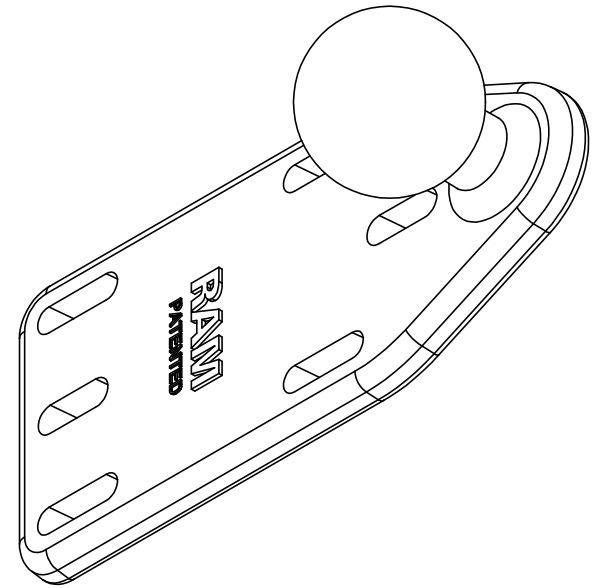
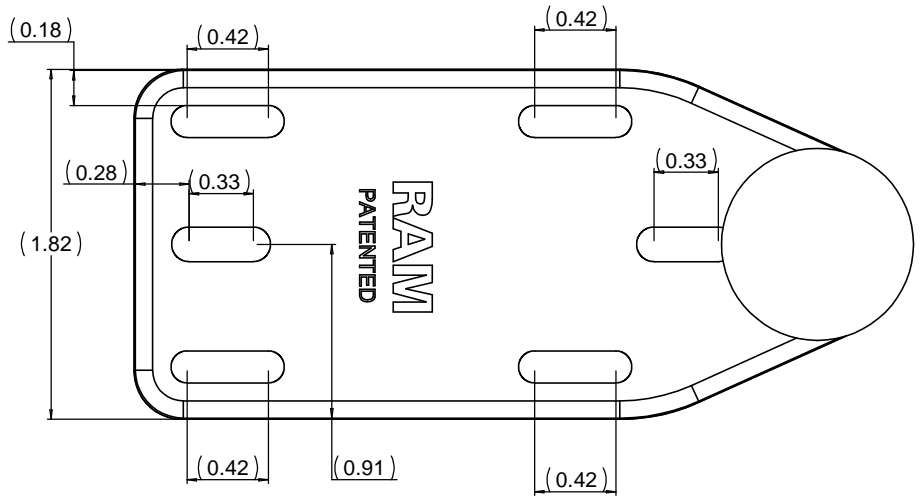
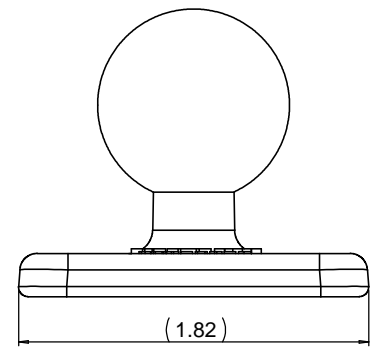
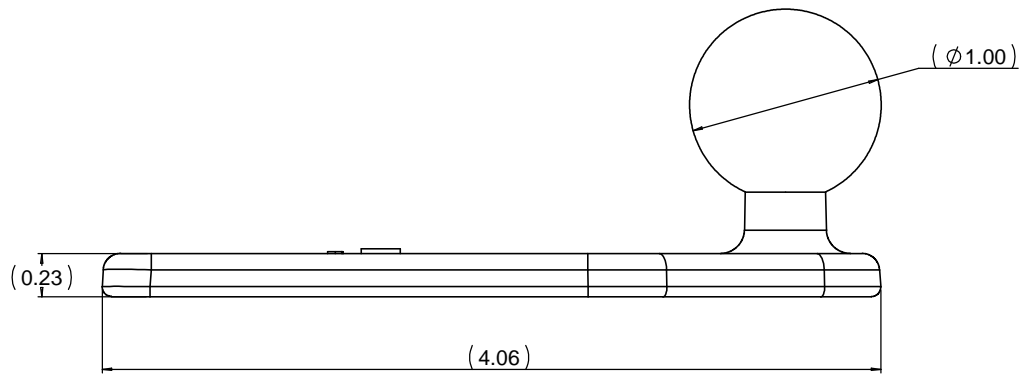


THE INFORMATION CONTAINED IN THIS DRAWING IS THE SOLE PROPERTY OF NATIONAL PRODUCTS INC. ANY REPRODUCTION IN PART OR WHOLE WITHOUT THE WRITTEN PERMISSION OF NATIONAL PRODUCTS INC. IS PROHIBITED.

REV.	DESCRIPTION	REVISIONS	DATE	APPROVED



UNLESS OTHERWISE SPECIFIED DIMENSIONS ARE IN INCHES TOLERANCES ARE: FRACTIONS: DECIMALS ANGLES +/- 1/32 .XX +/- .03 +/- 1 DEG. .XXX +/- .010	CAD GENERATED DRAWING. DO NOT MANUALLY UPDATE	NATIONAL PRODUCTS INC.	
MATERIAL: MIXED	APPROVALS: DRAWN: JDC 1/07/11 CHECKED: CMR 1/07/11 MFG ENG:	RAM SIDE RESEVOIR BASE WITH / 7/16" POST AND 1" DIA BALL	
FINISH: BLACK	QUAL ENG:	DWG. NO.: RAM-B-346	REV:
DO NOT SCALE DRAWING	SCALE 1 TO 1	CAD FILE: RAMB346	SHEET 1 OF 1