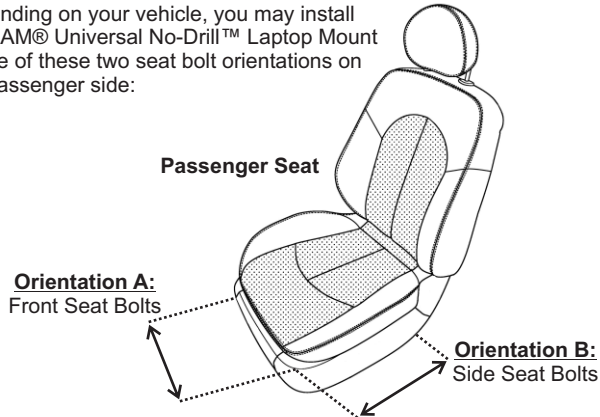


# RAM® Universal No-Drill™ Laptop Mounting System Vehicle Compatibility Guide

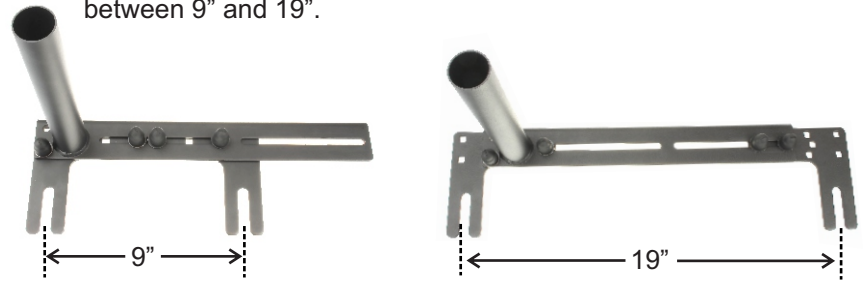
To determine if the RAM® Universal No-Drill™ Laptop Mounting System will install properly in your vehicle, carefully read and review the steps in this guide, while checking measurements in your vehicle.

## 1. Seat Bolt Orientation & Distance

Depending on your vehicle, you may install the RAM® Universal No-Drill™ Laptop Mount at one of these two seat bolt orientations on the passenger side:



Seat bolt range must have a **center to center** distance between 9" and 19".

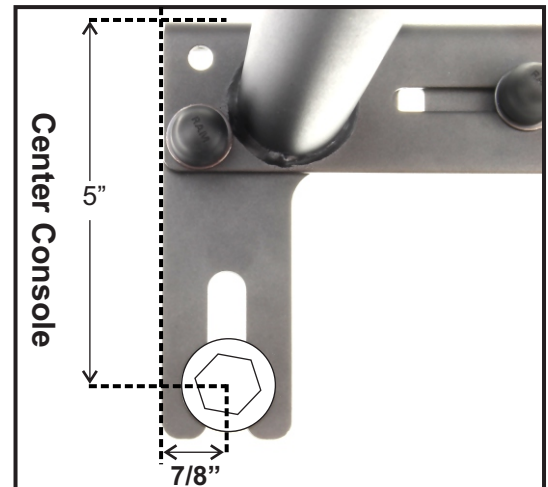
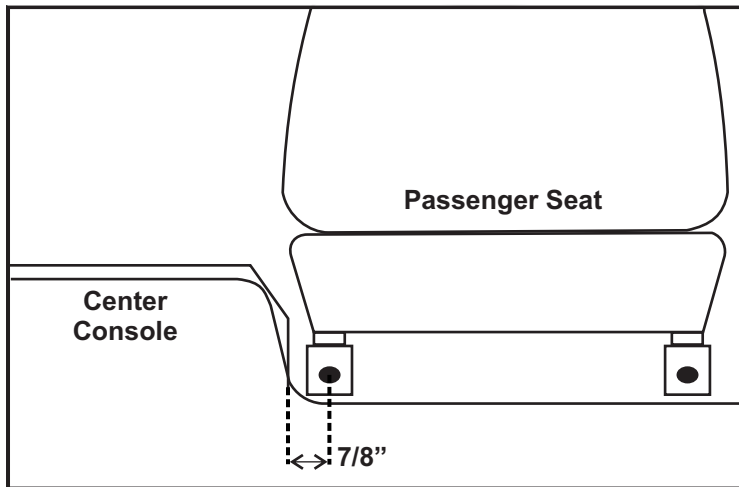


No matter what orientation you choose, the lower pole must be positioned closest to the front inner corner of the passenger seat against the console/transmission hump.

**\*This mount is not compatible with vehicles that have seat hooks instead of bolts.**

## 2. Console Clearance

Identify the inner seat bolt closest to the center console. The distance between the **center** of this bolt and the console must be at least **7/8"**. This spacing is important for up to **5" in front** of the center of the bolt.

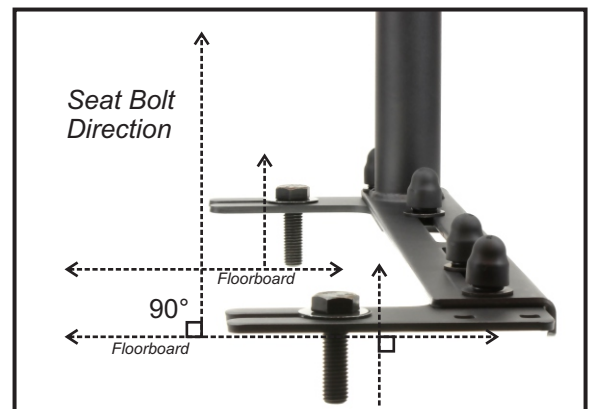


If you are using Orientation B from Step 1, the distance between the seat bolts and center console must be at least 5".

## 3. 90-Degree Seat Bolts

Your seat bolts should pass into the floorboard at 90-degrees from the floorboard surface.

**Bolt direction may vary by up to 10-degrees, but any further variation will result in the Tele-Pole interfering with the dashboard or passenger seating area.**



**RAM Mounting Systems**  
8410 Dallas Ave S  
Seattle, WA 98108  
Phone: (206) 763-8361  
Fax: (206) 763-9615  
www.rammount.com  
support@rammount.com

