

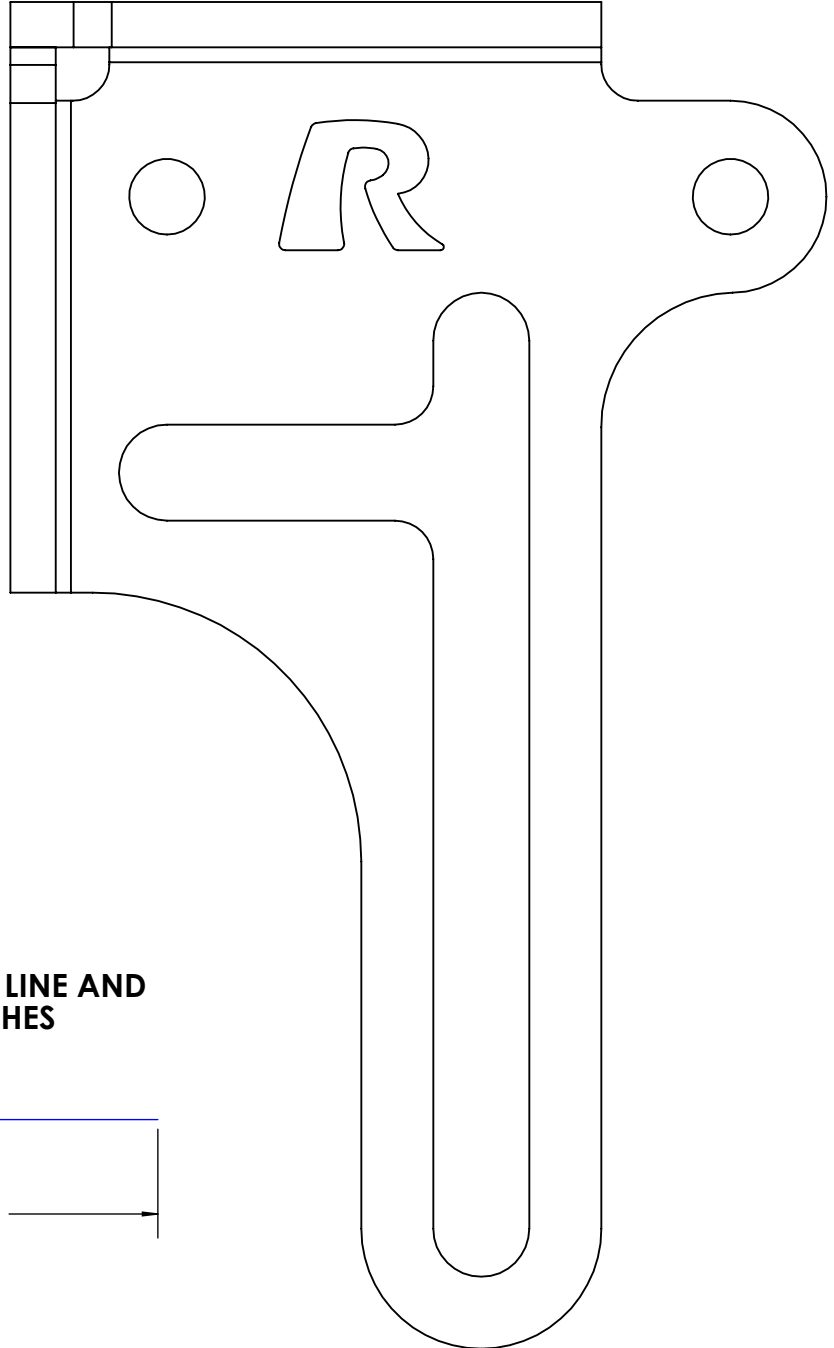
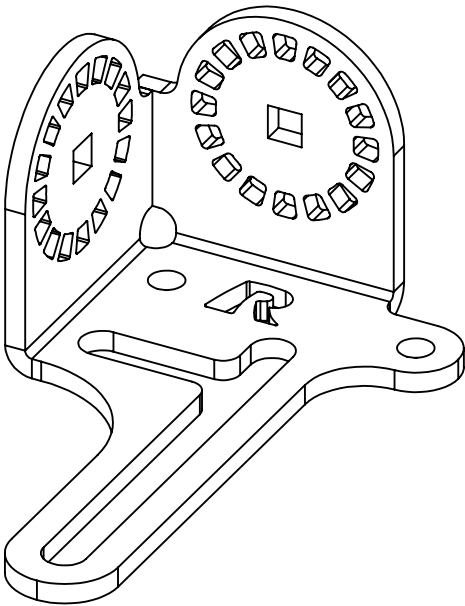
RAM POD HD FIT GUIDE

STANDARD CONFIGURATION

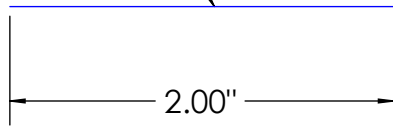
THIS DRAWING IS A 1:1 SCALE OF THE PART.

MAKE SURE YOU ALSO PRINT AT A 1:1 SCALE OR THIS DOCUMENT WILL NOT WORK

THE GUIDE TO THE RIGHT IS A TOP VIEW OF THE PART, WITH THE TABS BENT UP, VIEWING THE R AS SHOWN BELOW



AFTER PRINTING, MEASURE THIS LINE AND MAKE SURE IT IS EXACTLY 2 INCHES LONG TO VERIFY SCALE



DO NOT SCALE DRAWING

TRACKING			NATIONAL PRODUCTS INC.	
	INITIALS	DATE	DESCRIPTION	
DRAWN	SMG	7/26/2017	RAM UNIVERSAL NO-DRILL BASE (STANDARD CONFIGURATION) FOR RAM POD HD	
APPROVED 1				
APPROVED 2				
<small>THE INFORMATION CONTAINED IN THIS DRAWING IS THE SOLE PROPERTY OF NATIONAL PRODUCTS INC. ANY REPRODUCTION IN PART OR WHOLE WITHOUT THE WRITTEN PERMISSION OF NATIONAL PRODUCTS INC. IS PROHIBITED</small>			PART NUMBER	REV
			RMR-405B	
SCALE			1:1	SHEET 1 of 1

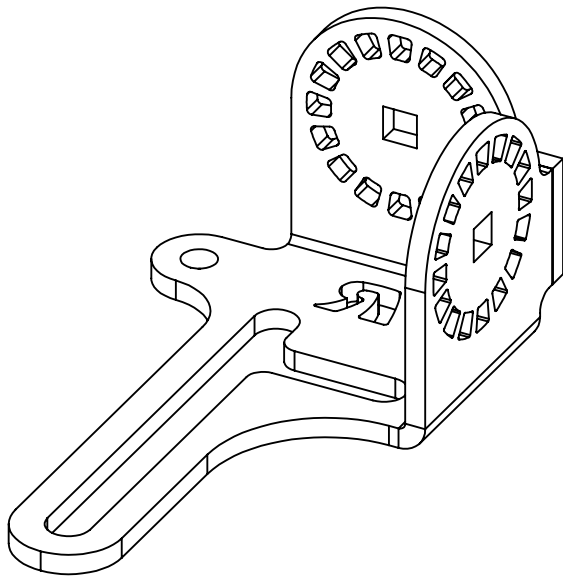
RAM POD HD FIT GUIDE

REVERSE CONFIGURATION

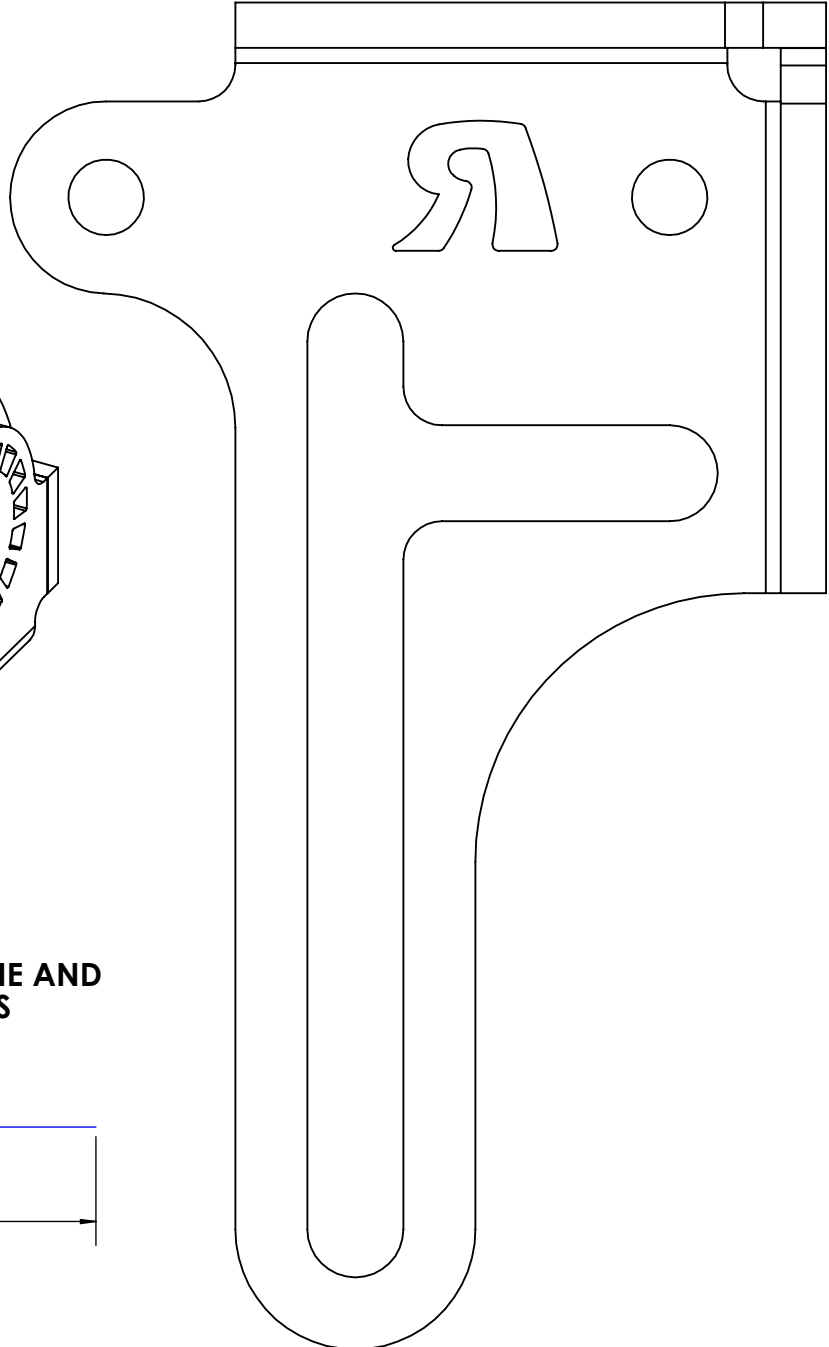
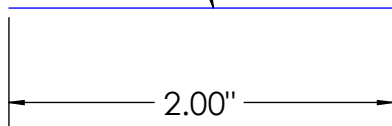
THIS DRAWING IS A 1:1 SCALE OF THE PART.

MAKE SURE YOU ALSO PRINT AT A 1:1 SCALE OR THIS DOCUMENT WILL NOT WORK

THE GUIDE TO THE RIGHT IS A TOP VIEW OF THE PART, WITH THE TABS BENT UP, VIEWING THE BACKWARDS R AS SHOWN BELOW



AFTER PRINTING, MEASURE THIS LINE AND MAKE SURE IT IS EXACTLY 2 INCHES LONG TO VERIFY SCALE



DO NOT SCALE DRAWING

TRACKING			NATIONAL PRODUCTS INC.	
	INITIALS	DATE	DESCRIPTION	
DRAWN	SMG	7/26/2017	RAM UNIVERSAL NO-DRILL BASE (REVERSE CONFIGURATION) FOR RAM POD HD	
APPROVED 1				
APPROVED 2				
THE INFORMATION CONTAINED IN THIS DRAWING IS THE SOLE PROPERTY OF NATIONAL PRODUCTS INC. ANY REPRODUCTION IN PART OR WHOLE WITHOUT THE WRITTEN PERMISSION OF NATIONAL PRODUCTS INC. IS PROHIBITED.			PART NUMBER RMR-405B-1	REV
SCALE			1:1	SHEET 1 of 1