

# RAM® EZ-Roll'r™ Series for Apple iPad Pro 12.9" 3rd Gen

The RAM® EZ-Roll'r™ cradle for the iPad Pro 12.9" secures the device in a form-fit holder while keeping the entire screen visible. To secure in place, simply slide the iPad into the cradle and roll the top clip over the device. The cradle features an attachment point on the back for connecting a RAM® round ball base, and keeps the camera, side buttons, and charging port conveniently exposed and accessible. An attachment point on the side of the cradle allows for the placement and removal of the Apple Pencil. In addition, combination-locking and key-locking versions are available for added security and theft deterrence.

## Compatible Devices:

Apple iPad Pro 12.9"

## Features:

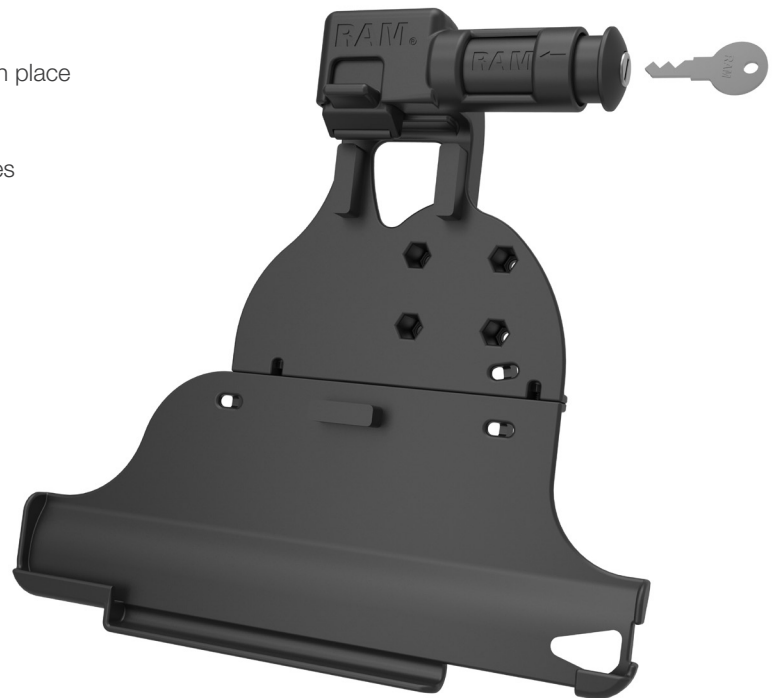
- Patented RAM® EZ-Roll'r™ technology securely holds device in place
- Available in keyed and combination locking versions
- Integrated Apple Pencil holder on side of cradle
- RAM® Mounts Compatible™ with B and C size round ball bases
- Secures device in cradle without use of case
- Backed by a lifetime warranty

## Available SKUs:

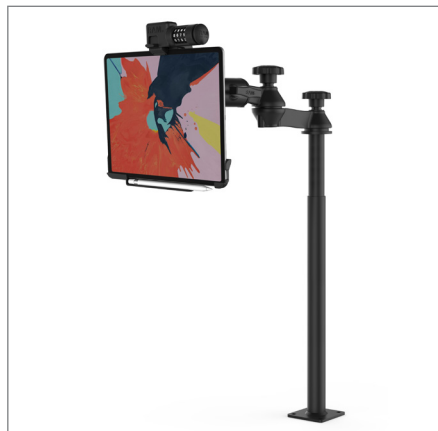
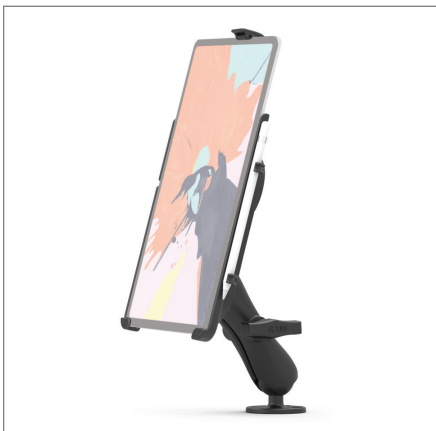
- **RAM-HOL-AP24U**  
RAM® EZ-Roll'r™ for Apple iPad Pro 12.9"
- **RAM-HOL-AP24CLU**  
RAM® EZ-Roll'r™ with Combo Lock for Apple iPad Pro 12.9"
- **RAM-HOL-AP24KLU**  
RAM® EZ-Roll'r™ with Keyed Lock for Apple iPad Pro 12.9"

## RAM® Mounts Accessories:

- **RAM-101U**  
RAM® Drill-Down Double Ball Mount
- **RAM-VP-SW1-1218**  
RAM® Tele-Pole™ with Double Swing Arm Mount
- **RAM-101U-247-4**  
RAM® 4" Square Post Clamp Mount



Patented and Pats. Pend



rammount.com  
1-800-497-7479  
sales@rammount.com

