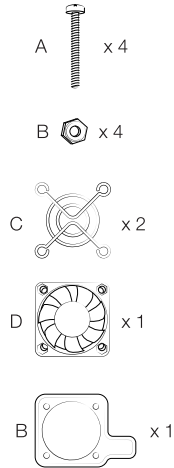
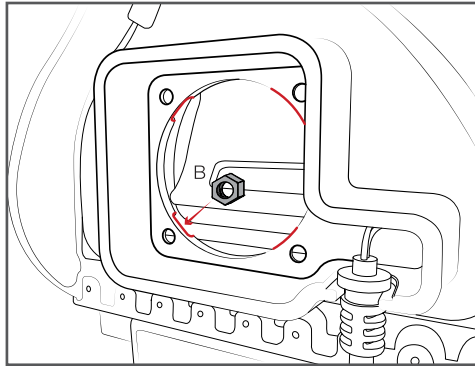


Part Index

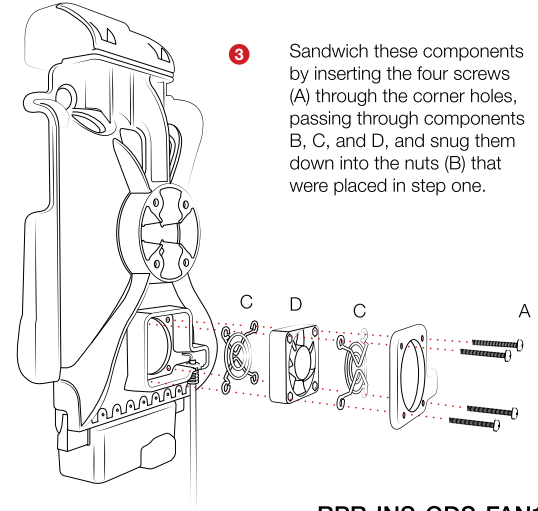
*not to scale



- 1** With the back of the holder facing you, take the four nuts (B) and carefully insert them into the slots on the back side of the fan housing in each of the four corners.



- 2** With the nuts placed, insert the first fan grill with the concave side facing you (C). Next insert the fan (D), the second fan grill with the concave side facing away from you (C), and the back faceplate (B).



RPR-INS-GDS-FAN1



Safety Precaution

Do not install this product near or over an airbag deployment area or in a location that obstructs the driver's vision or interferes with vehicle operation. National Products, Inc does not assume responsibility or liability for any such personal injury, death or property damage.