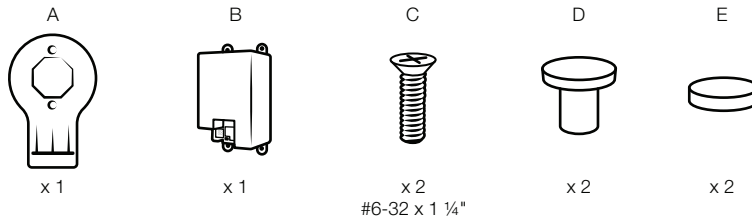


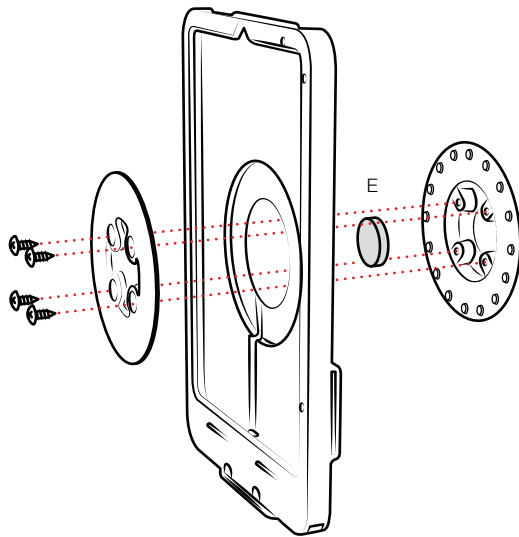
Parts Index

* Not to scale

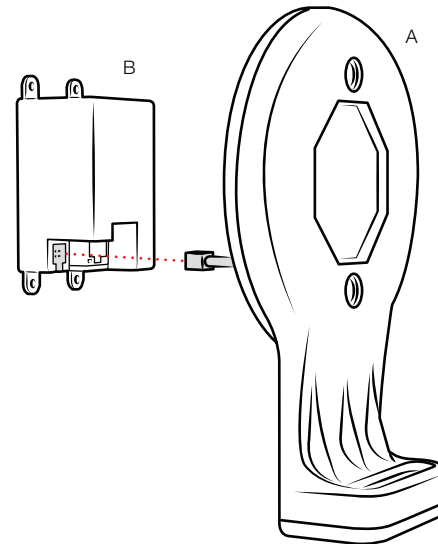


Patented & Pats. Pending

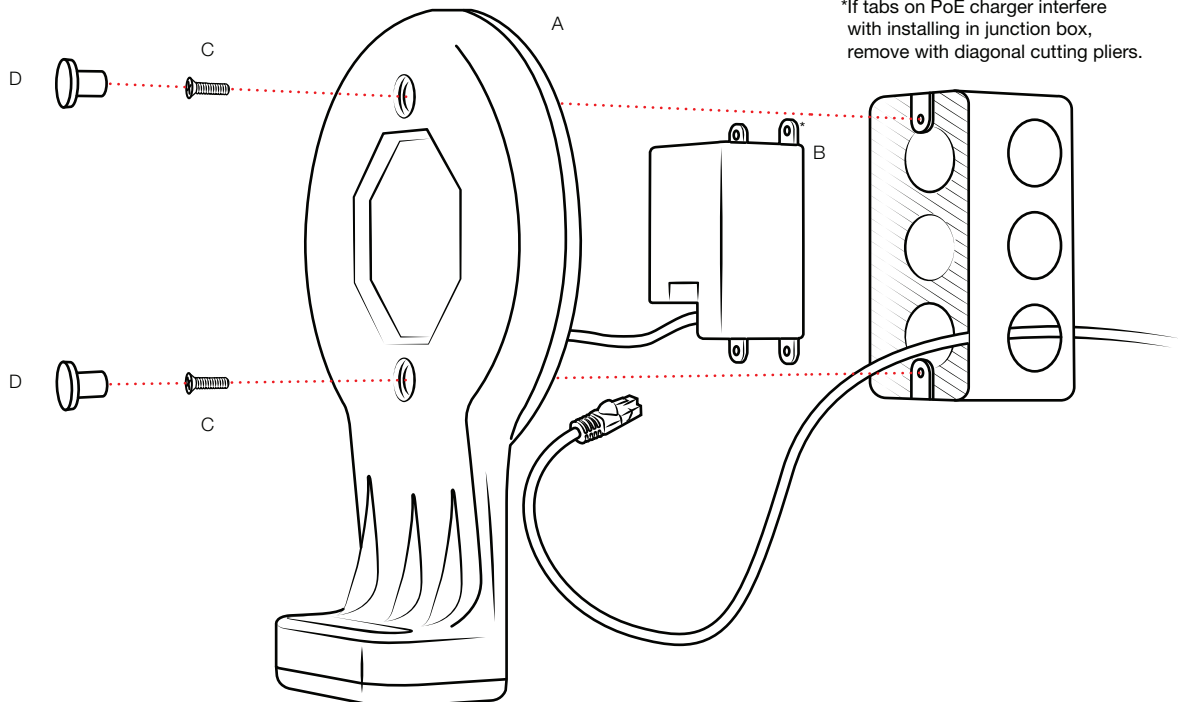
1 Install (E) Steel Insert into your GDS® Uni-Conn™ adapter (not included).



2 Connect JST connector of (A) Wall Dock to (B) PoE Charger.



3 Connect Ethernet cable to (B) Charger then connect (A) Wall Dock with (B) PoE Charger into desired electrical junction box using (C) Screws. Cover screw heads with (D) Plugs.



RPR-INS-GDS-DOCK-W3