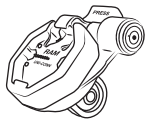


## Parts Index

\* not to scale

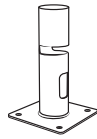
Patented & Pats. Pend.  
rammount.com/ip



**A**  
(1) GDS® Uni-Conn™  
Dock Assembly  
Dock style may vary



**B**  
(1) Top Post



**C**  
(1) Base Plate With Tube



**D**  
(1) Base Cover



**E**  
(1) Tube Cover



**F**  
(1) Screw  
1/4"-20 x 5/8"



**G**  
(1) Barrel Nut  
1/4"-20

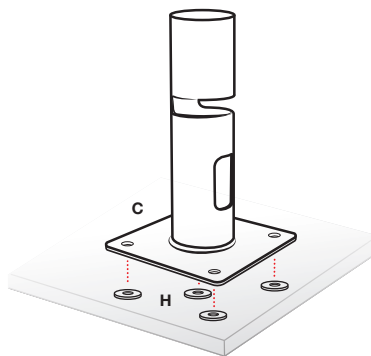


**H**  
(4) Nylon Washers

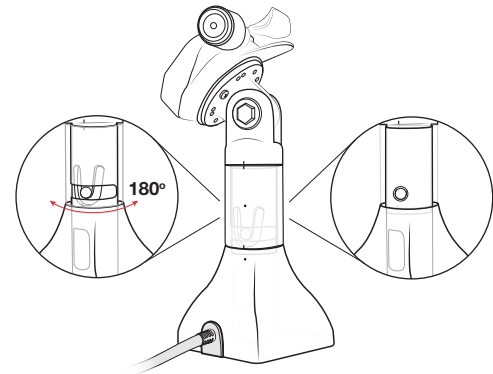
- 1 Drill clearance holes and install **(C) Base Plate** into desired surface. The side of the base with a large hole in the tube will be the back of the dock where the power cable comes out.

Position each of the four **(H) Washers** between the **(C) Base Plate** and mounting surface. This will allow the **(D) Base Cover** to secure over the base when complete.

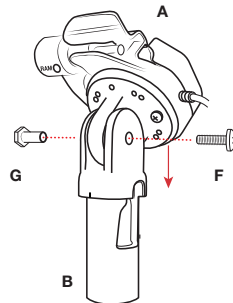
Mounting hardware is not included with this mount. Exact hardware type and length will vary depending on the surface it is mounted on. We recommend using through holes with 1/4"-20 or M6 size hardware with nuts and washers on the underside of the mounting surface.



- 5 Depending on the desired functionality, insert the **(B) Top Post** into the **(C) Base plate** one of two ways:  
I. To enable a 180° swivel, utilize the slotted hole.  
II. To fix the dock in one direction, utilize the opposite single-hole.



- 2 Connect **(A) Dock Assembly** to top of **(B) Top Post** using **(F) Screw** and **(G) Barrel Nut**. Cable on dock should be on the side to receive the pigtail.



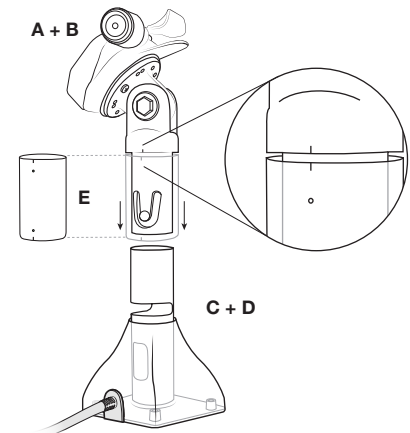
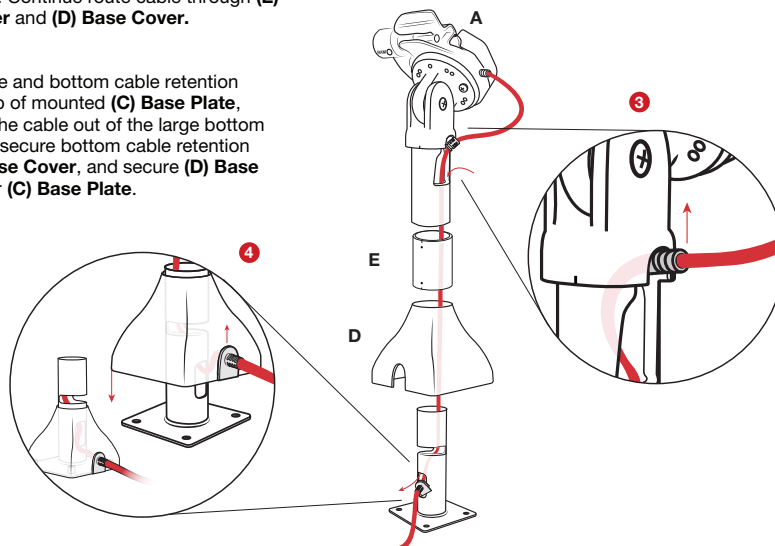
- 6 Press **(B) Top Post** into hole, aligning the press button with the desired hole determined in Step 5.

While inserting, the **(E) Tube Cover** may block your view of the press button. As a reference, a small notch on the **(B) Top Post** is in line with the press button.

While inserting, the cable may be start to come through the slotted hole. Route the excess cable back into the base and continue pressing the top post down, clicking the press button into place.

- 3 Route cable from **(A) Dock Assembly** into hole of **(B) Top Post**. Secure pigtail of cable into top of hole. Continue route cable through **(E) Tube Cover** and **(D) Base Cover**.

- 4 Route cable and bottom cable retention through top of mounted **(C) Base Plate**, and bring the cable out of the large bottom hole. Then secure bottom cable retention into **(D) Base Cover**, and secure **(D) Base Cover** over **(C) Base Plate**.



RPR-INS-GDS-DOCK-D11

## Disassembly Instructions

- 1 Align the notches on the **(E) Tube Cover** with the notch on the **(B) Top Post**. This will align the bottom hole with the press button.
- 2 Using a thin allen wrench or narrow tool, press into bottom hole against the press button. While pressing in, pull the **(B) Top Post** with **(A) Dock Assembly** up to remove from the base.

