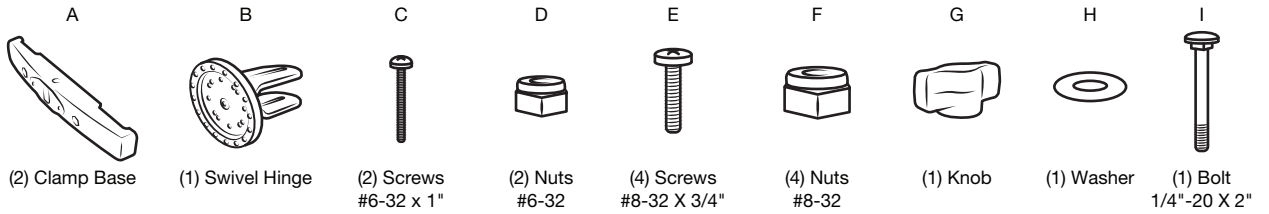
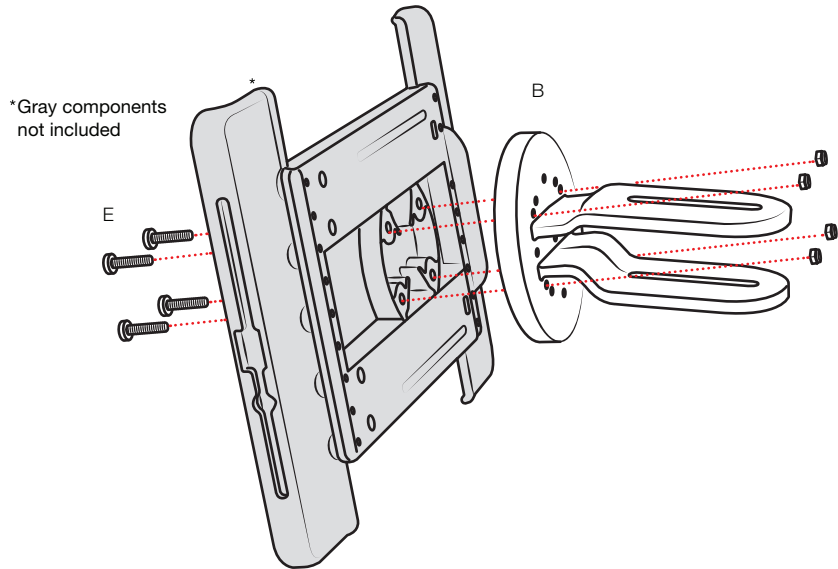


## Parts Index

\* not to scale

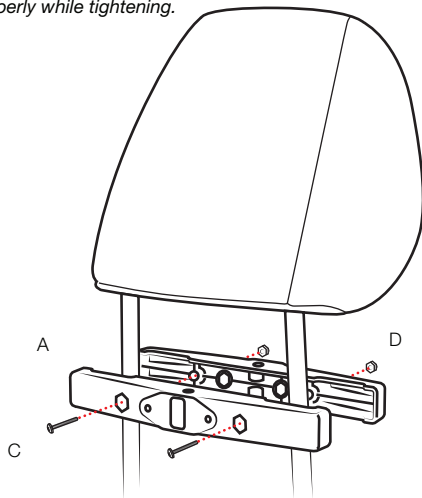


- 1 Connect (B) Swivel Hinge to RAM® Tab-Tite™ Holder (not included) using (E) Screws and (F) Nuts. Screw heads must pass through front holes of Tab-Tite™, and using a wrench, secure nuts on the backside of the Swivel Hinge.

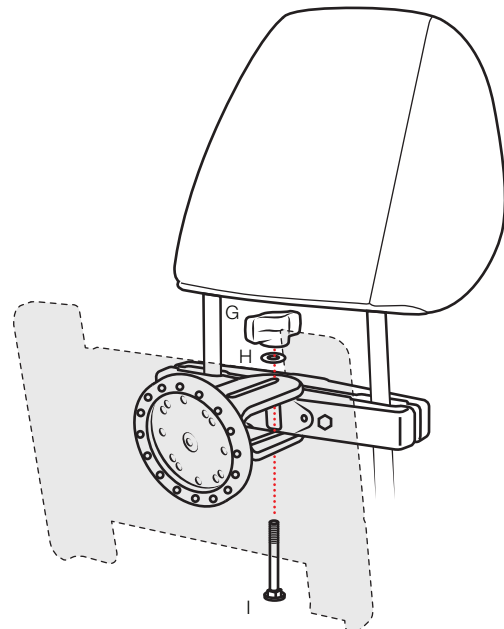


- 2 Connect both halves of (A) Clamp Base to the headrest using (C) Screws and (D) Nuts.

**Tip:** Remove headrest from seat first. If headrest cannot be removed, use a key or similar object to hold (D) Nylock Nuts in nut pockets properly while tightening.



- 3 Connect (B) Swivel Hinge to center hole of (A) Clamp Base Half using (I) Bolt, (H) Washer, and (G) Knob. Configure the angle and direction to best conform to car seat.



RPR-INS-469