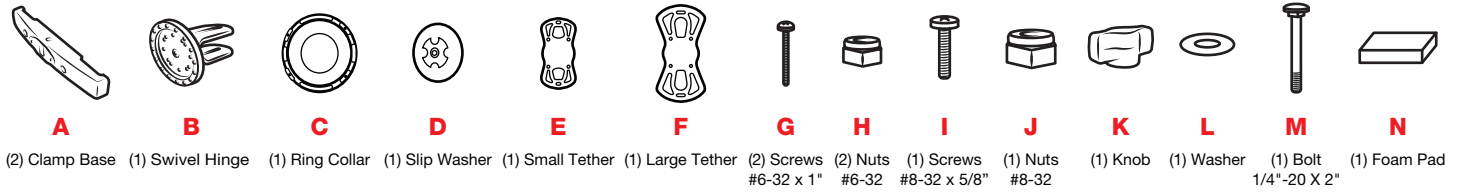
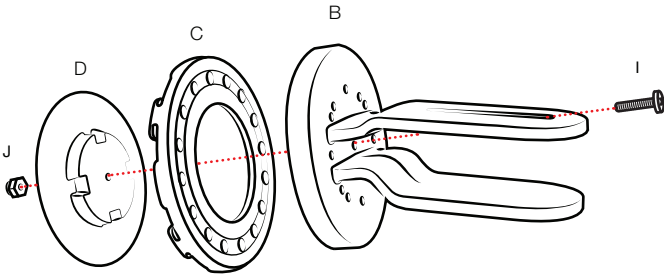


Parts Index

* not to scale

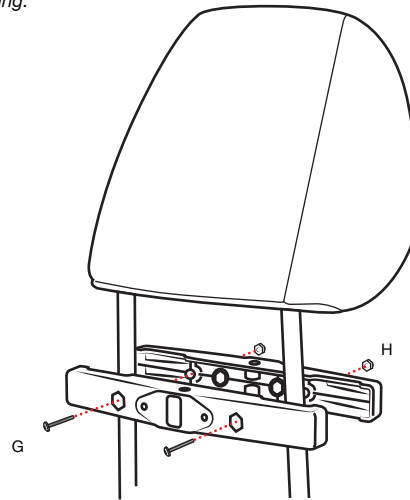


1 Using a long narrow screwdriver, connect **(B) Swivel Hinge** to **(C) Ring Collar** and **(D) Slip Washer** using **(I) Screw** and **(J) Nut**, as shown. Set the tension level so that with some force the **(C) Ring Collar** can rotate, enabling users to rotate the tablet between portrait and landscape mode.

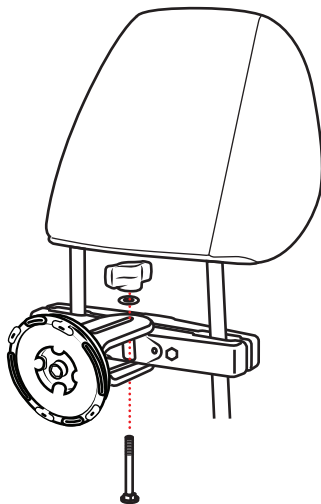


2 Connect both halves of **(A) Clamp Base Halves** to the headrest using **(C) Screws** and **(D) Nuts**.

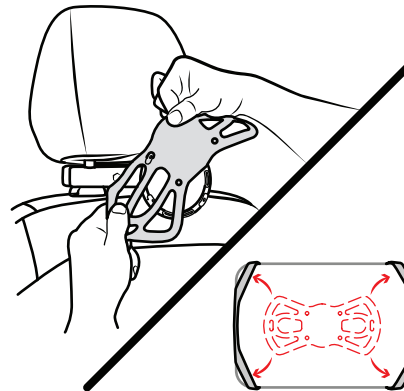
Tip: Remove headrest from seat first. If headrest cannot be removed, use a key or similar object to hold **(D) Nuts** in nut pockets properly while tightening.



3 Connect **(B) Swivel Hinge** to center hole of **(A) Clamp Base Half** using **(I) Bolt**, **(H) Washer** and **(G) Knob**, as shown. Configure the angle and direction to best conform to car seat.



4 Select **(E) or (F) Tether** based on which version is best fitting for your tablet. Wrap the four holes of selected tether around the four cleats of the **(C) Ring Collar**. Wrap tether around your tablet to secure in position.



Troubleshooting:

If tablet appears loose while mounted, try using the smaller tether. This will create greater tension on the tether and may hold it more securely.

Use optional **(N) Foam Pad** to adhere to the middle of the tether. This may keep the tablet braced against the headrest base better.

RPR-INS-469-T



Safety Precaution

Do not install this product near or over an airbag deployment area or in a location that obstructs the driver's vision or interferes with vehicle operation. National Products, Inc does not assume responsibility or liability for any such personal injury, death or property damage.