

Part Index

*not to scale



A

(2) Clamp Base Half



B

(2) #6-32 x 1" Screws



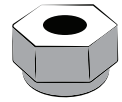
C

(2) #6-32 Nylock Nuts



D

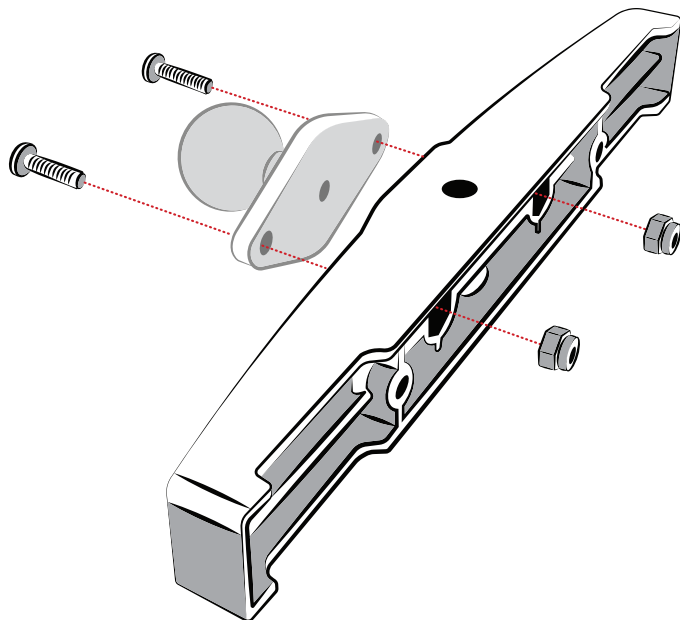
(2) #8-32 x 5/8" Screws



E

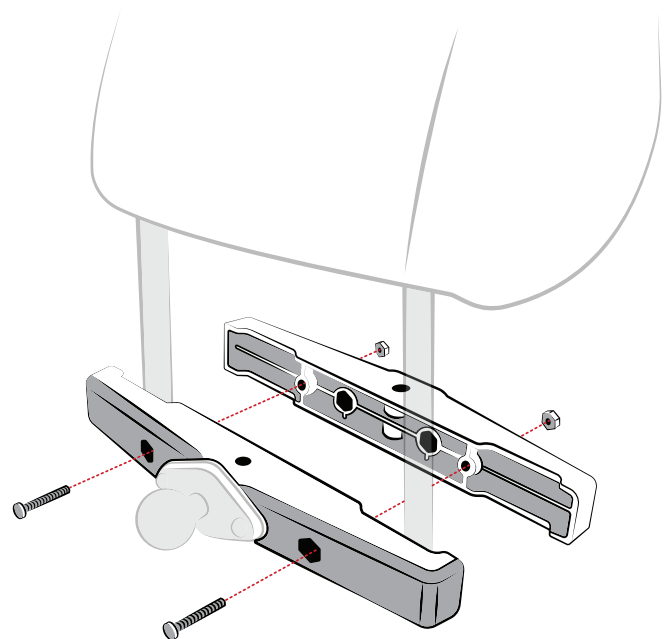
(2) #8-32 Nylock Nuts

- 1 Connect ball base or other RAM® components to either (A) **Clamp Base Half** using (D) **Screws** and (E) **Nylock Nuts**.



*Grayed out ball base not included in all kits.

- 2 Connect both (A) **Clamp Base Halves** to the headrest using (B) **Screws** and (C) **Nylock Nuts**.



TIP:

Remove headrest from seat first. If headrest cannot be removed, use a key or similar object to hold (C) **Nylock Nuts** in nut pockets properly while tightening.

RPR-INS-469-NB



Safety Precaution

Do not install this product near or over an airbag deployment area or in a location that obstructs the driver's vision or interferes with vehicle operation. National Products, Inc does not assume responsibility or liability for any such personal injury, death or property damage.