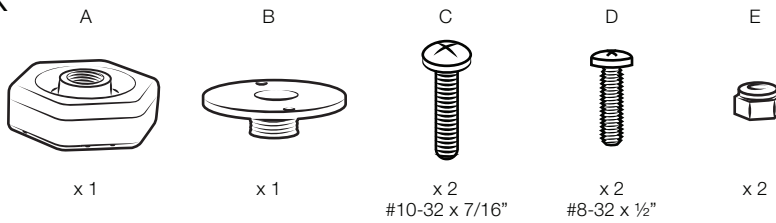


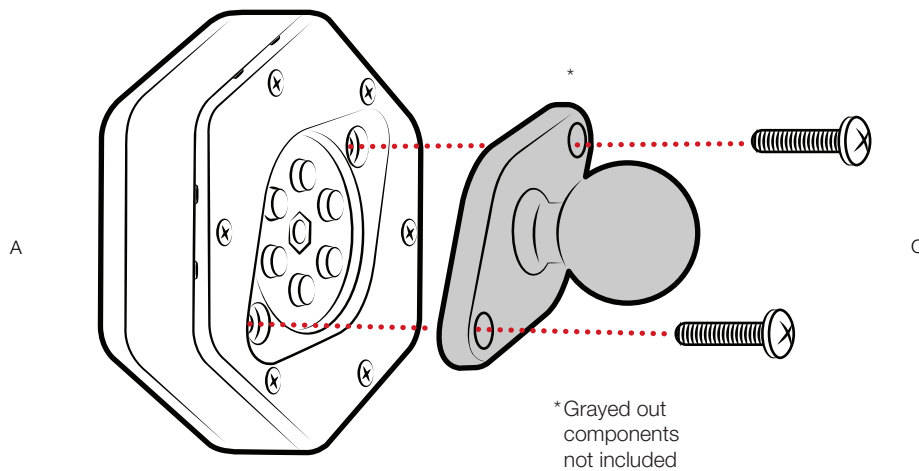
Parts Index

* not to scale

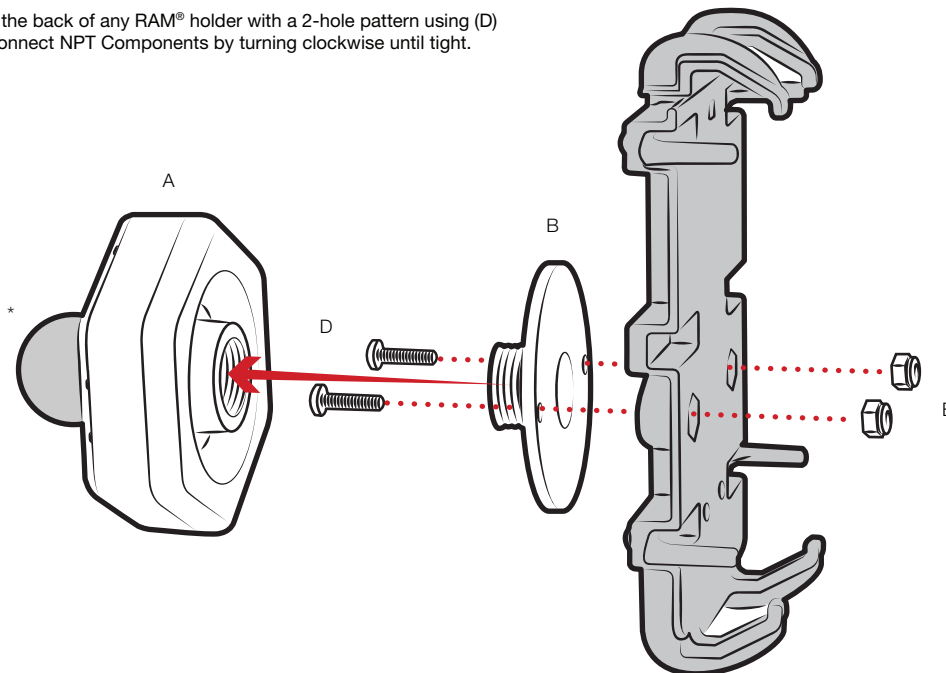


Patent Pending

- 1 Connect Diamond Ball Adapter to the two-hole pattern of the (A) RAM® Vibe-Safe™ using (C) Screws.



- 1 Connect (B) Adapter to the back of any RAM® holder with a 2-hole pattern using (D) Screws and (E) Nuts. Connect NPT Components by turning clockwise until tight.



RPR-INS-462NPT



Disclaimer

A reduction in vibration does not guarantee full protection of device. External immeasurable factors may cause damage to phones, cameras, and other devices while mounted in the RAM® Vibe-Safe™. National Products, Inc does not assume responsibility or liability for any such personal injury, death or property damage. RAM® mounts lifetime warranty is limited to RAM® mounts and components. The warranty does not include any device mounted or attached to a RAM® mount, such as a phone, GPS, camera, computer or other device.