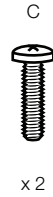


Parts Index

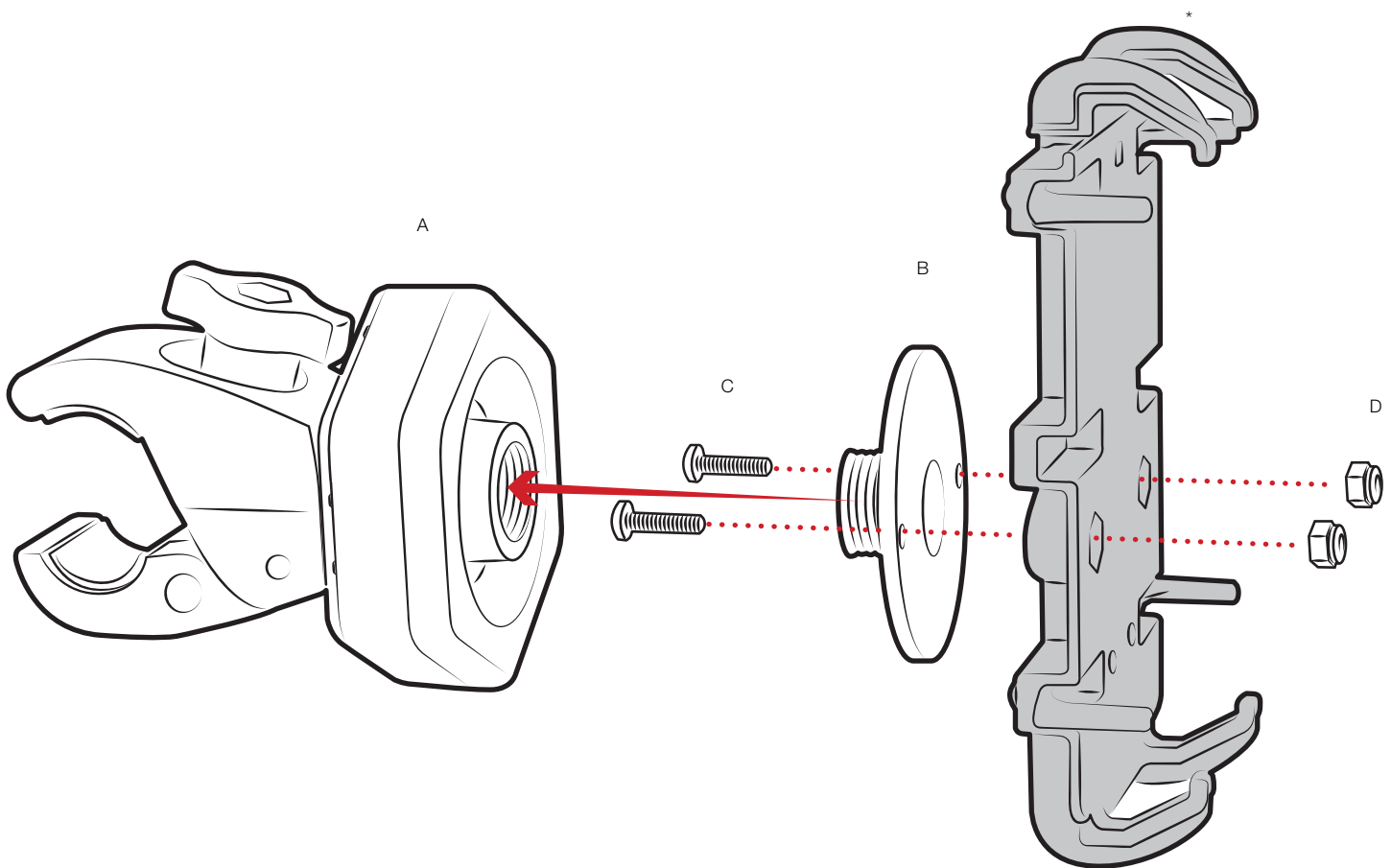
* not to scale



Patent Pending

- 1 Connect (B) Adapter to back of any RAM® holder with 2-Hole pattern using (C) Screws and (D) Nuts.

Connect (A) Base with (B) Adapter by turning clockwise until tight.



* Grayed out
components
not included

RPR-INS-462NPT-400



Disclaimer

A reduction in vibration does not guarantee full protection of device. External immeasurable factors may cause damage to phones, cameras, and other devices while mounted in the RAM® Vibe-Safe™. National Products, Inc does not assume responsibility or liability for any such personal injury, death or property damage. RAM® mounts lifetime warranty is limited to RAM® mounts and components. The warranty does not include any device mounted or attached to a RAM® mount, such as a phone, GPS, camera, computer or other device.