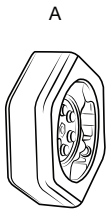


# Parts Index

Patent Pending

\*not to scale



x 1

RAM® Vibe-Safe™ Body

B



x 1

#10-32 x 7/8"

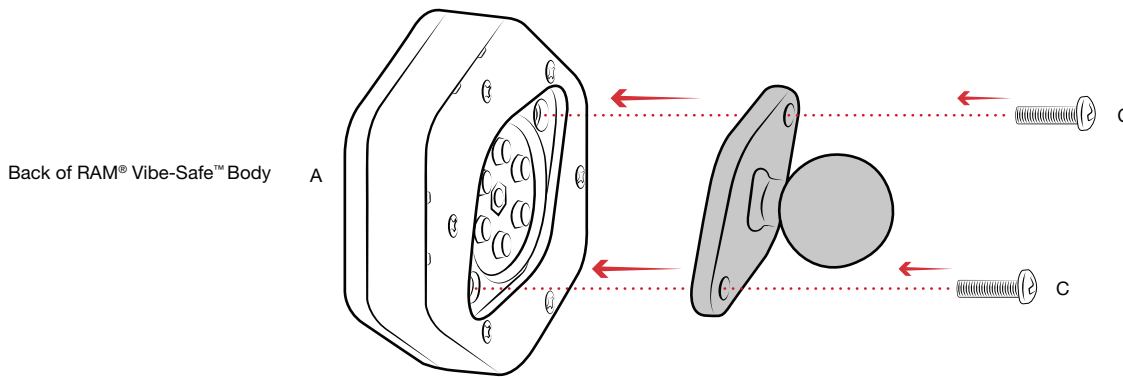
C



x 2

#10-32 x 7/16"

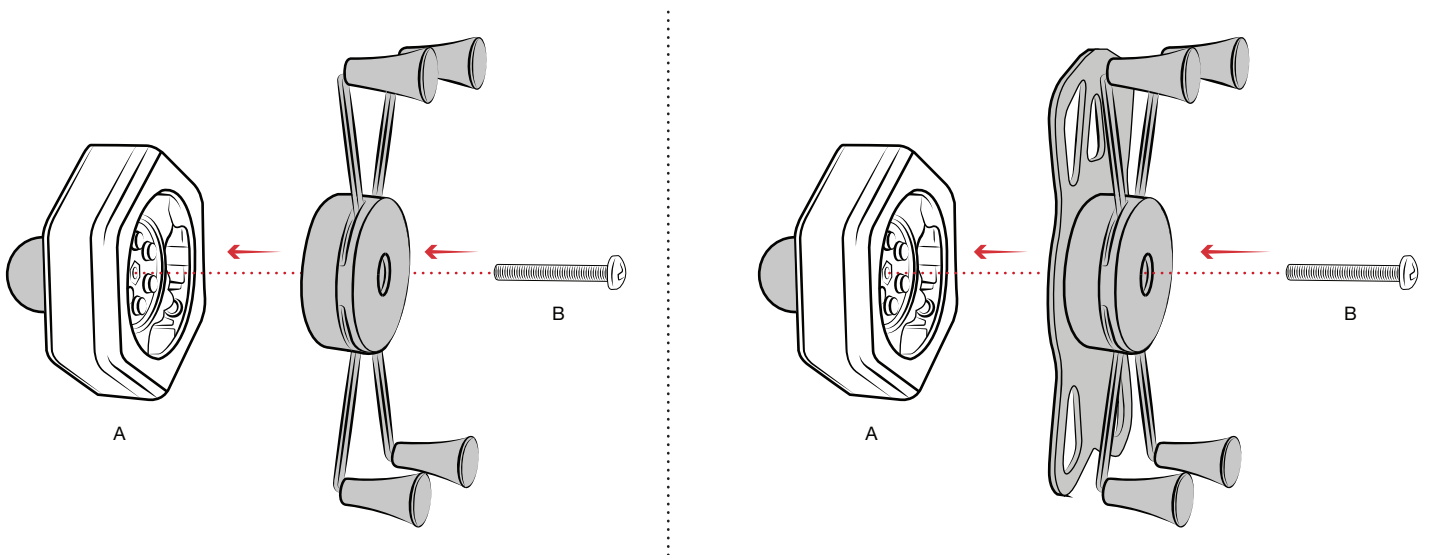
1 Connect Diamond Ball Adapter to the two-hole pattern of the (A) RAM® Vibe-Safe™ using (C) screws.



Back of RAM® Vibe-Safe™ Body

\* Grayed out components not included

2 Connect RAM® X-Grip® to front side of (A) RAM® Vibe-Safe™ using (B) Screw. Optional tether is recommended for any rough environments and/or open cockpit applications. To apply tether, wrap around back of RAM® X-Grip® housing before connecting to RAM® Vibe-Safe™.



RPR-INS-462



## Disclaimer

A reduction in vibration does not guarantee full protection of device. External immeasurable factors may cause damage to phones, cameras, and other devices while mounted in the RAM® Vibe-Safe™. National Products, Inc does not assume responsibility or liability for any such personal injury, death or property damage. RAM® mounts lifetime warranty is limited to RAM® mounts and components. The warranty does not include any device mounted or attached to a RAM® mount, such as a phone, GPS, camera, computer or other device.