

Parts Index

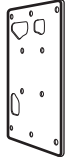
* not to scale

Patented & Pats. Pend.
rammount.com/ip



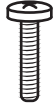
A

(1) Riser Plate



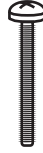
B

(2) Backing Plates



C

(4) Screws
#8-32 x 5/8"



D

(4) Screws
#8-32 x 1 1/4"



E

(4) Flat Washers
#8

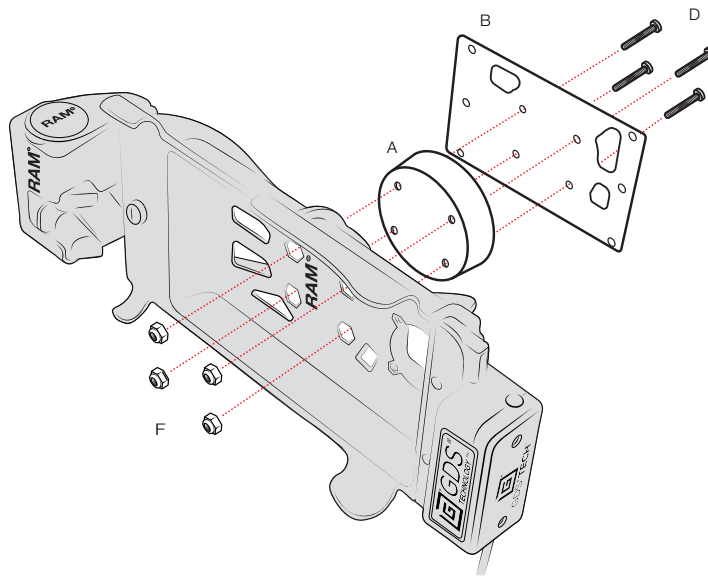


F

(8) Nylock Nuts
#8-32

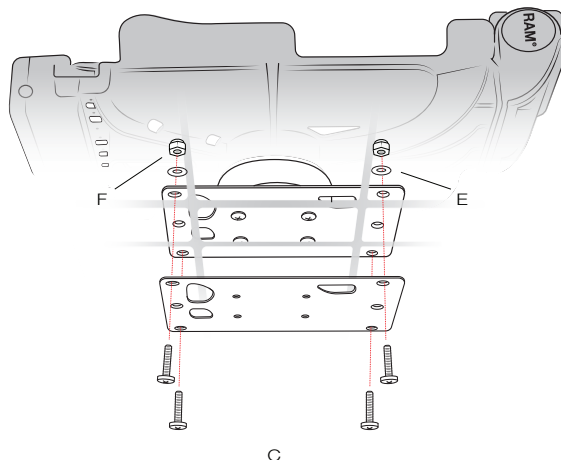
- 1 Connect **(A) Riser Plate** to one of the **(B) Backing Plates** and the holder/dock using **(D) Screws** and **(F) Nuts**.

*Grayed out components
not included



- 2 Connect **(B) Backing Plates** together over cage surface using **(C) Screws**, **(E) Washers** and **(F) Nuts**, as shown. Using screwdriver and wrench, tighten until secure without overbending **(B) Backing Plates**.

*Grayed out components
not included



RPR-INS-403BP