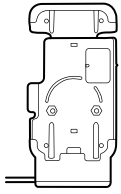


Parts Index

* not to scale



A

Powered Dock



B

Bottom Insert



C

Top Insert



D

(x2) Screws
#8-32 x 5/8"



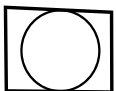
E

(x2) Screws
#8-32 x 3/4"



F

(x2) Nylock Nuts
#8-32

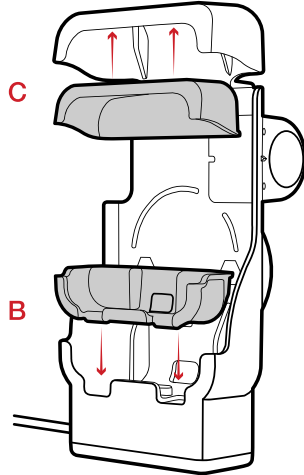


G

Adhesive Pad

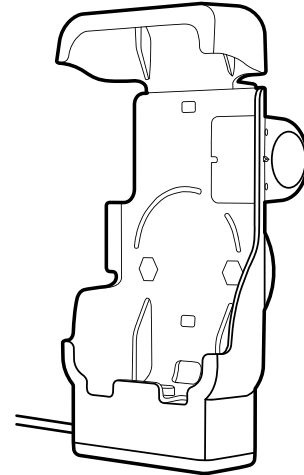
For Zebra TC501 without Rugged Boot

Insert **(B)** and **(C)** inserts into the bottom and top of dock.

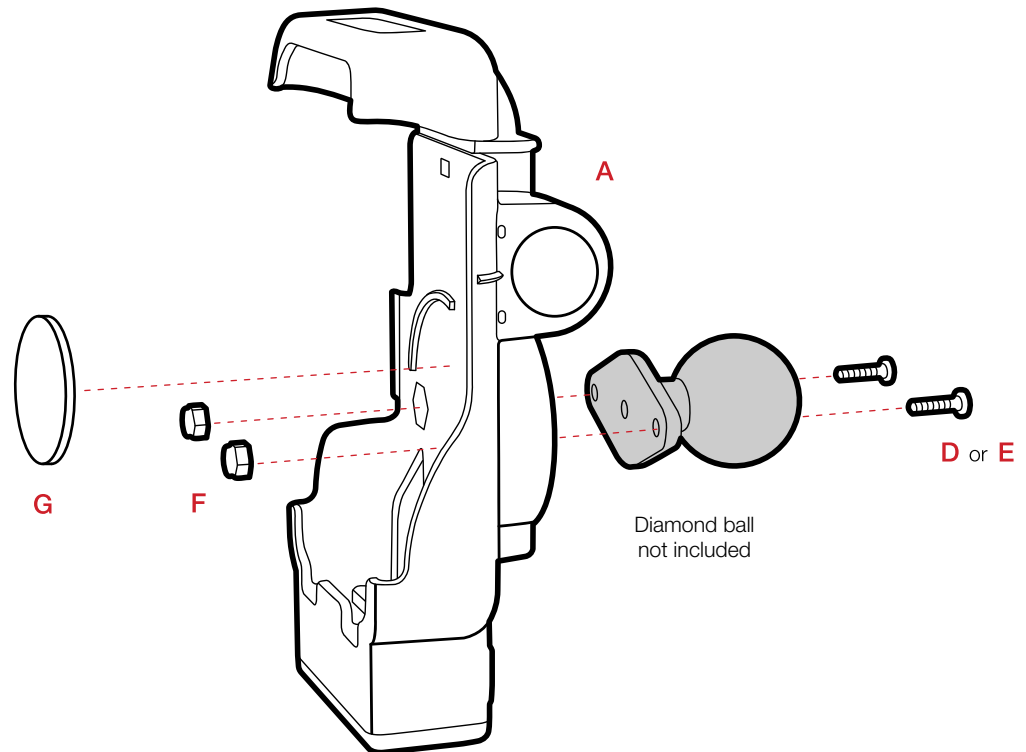


For Zebra TC501 with Rugged Boot

Do not use **(B)** or **(C)** inserts.



Mount Assembly



Diamond ball
not included

Optional - Wireless Charging

To support the Zebra Wireless Charging Battery, use **(G) adhesive** to connect RAM® Wireless Charger (not included) to the inside cavity of **(A) dock**.

RMR-INS-ZE41-2



Safety Precaution

Do not install this product near or over an airbag deployment area or in a location that obstructs the driver's vision or interferes with vehicle operation. Electronic devices attached to this product are not to be used while vehicle is in motion. National Products, Inc. does not assume responsibility or liability for any such personal injury, death, or property damage.