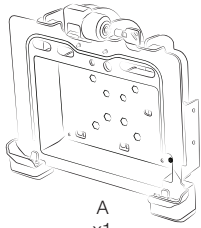


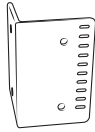
Part Index

*not to scale

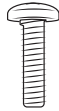
Patent Pending



A
x1



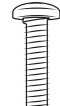
B
x1



C
#10-24 x 5/8"
x4



D
#10-24 Nylock
x4



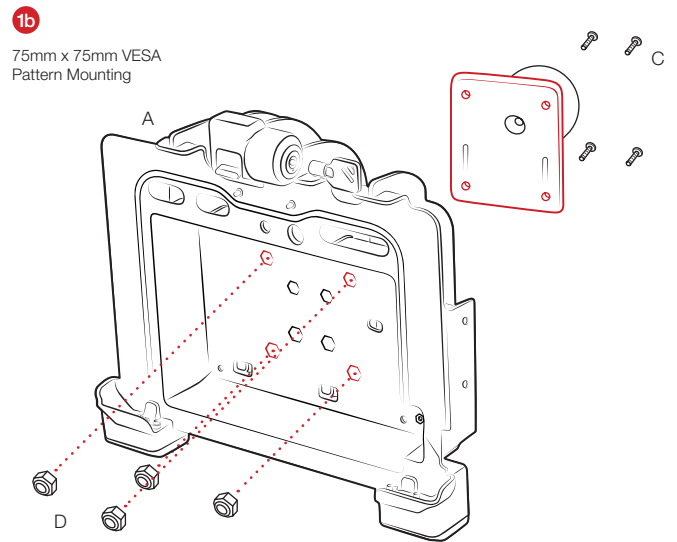
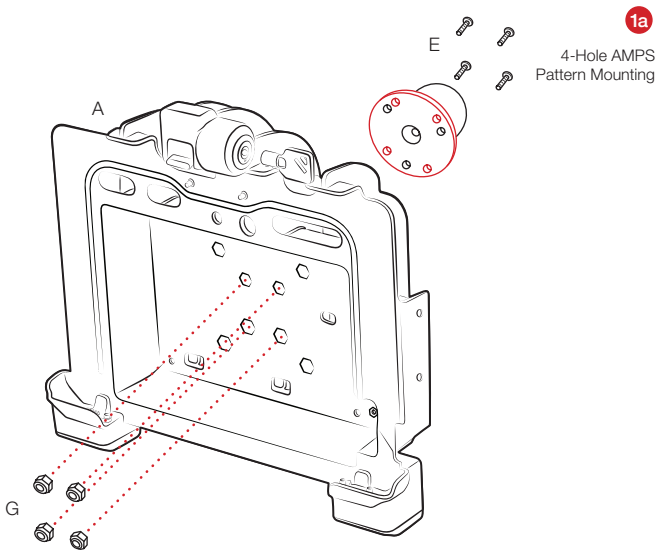
E
#8-32 x 5/8"
x4



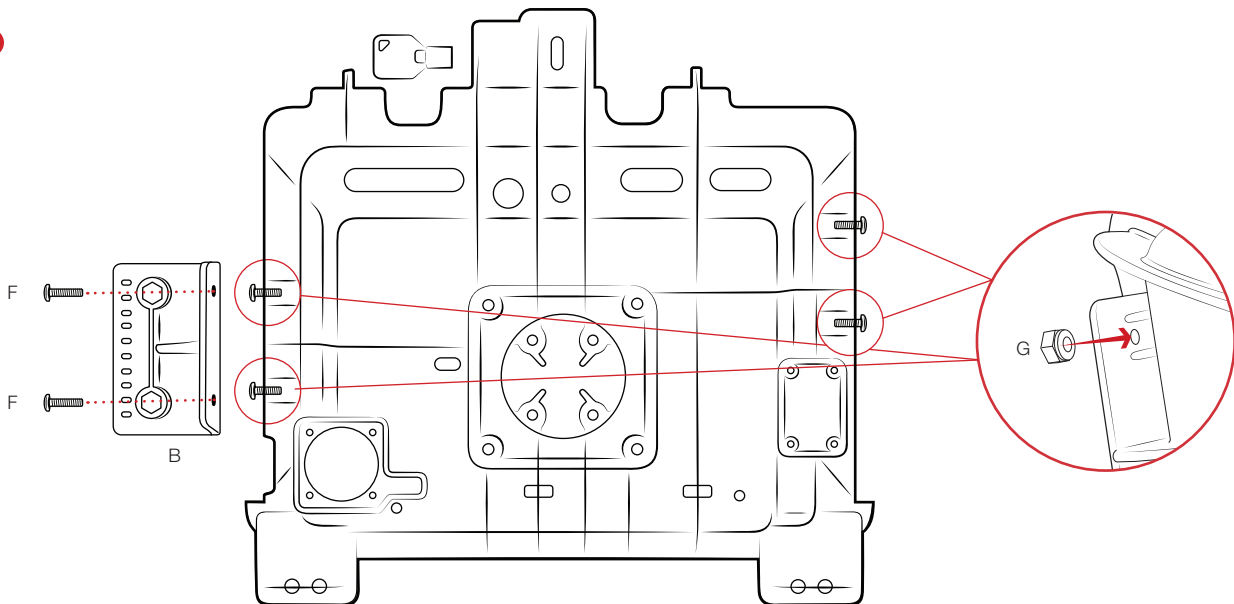
F
#8-32 x 1/2"
x2



G
#8-32 Nylock
x6



2



RMR-INS-ZE22



Safety Precaution

Do not install this product near or over an airbag deployment area or in a location that obstructs the driver's vision or interferes with vehicle operation. National Products, Inc does not assume responsibility or liability for any such personal injury, death or property damage.