

Specifications

Placement

Between seat track and seat frame box,
Inside front corner of passenger side seat

Seat Configuration

Bucket

Construction/Finish

Steel/Black powder coat

Dimensions

(A) 4.5" (B) 7.5" (C) 2"

Pole or Pedestal

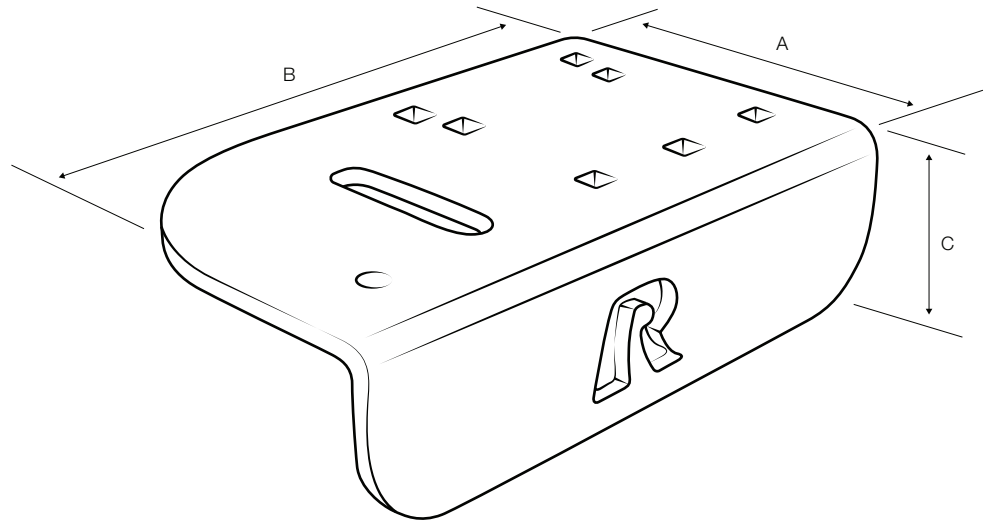
Sold separately

Drilling Required

None - utilizes existing vehicle mounting
points and hardware

Weight

2.25 lbs.

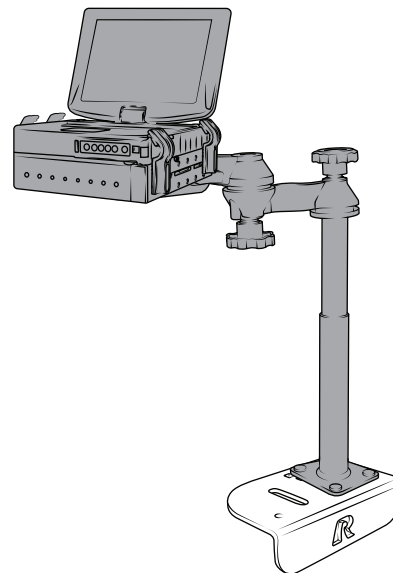


Features

Installs in minutes with no drilling required

Rugged lifetime warranty construction

Additional holes may be drilled in base to create additional
mounting options without voiding the warranty



RMR-INS-VB-194



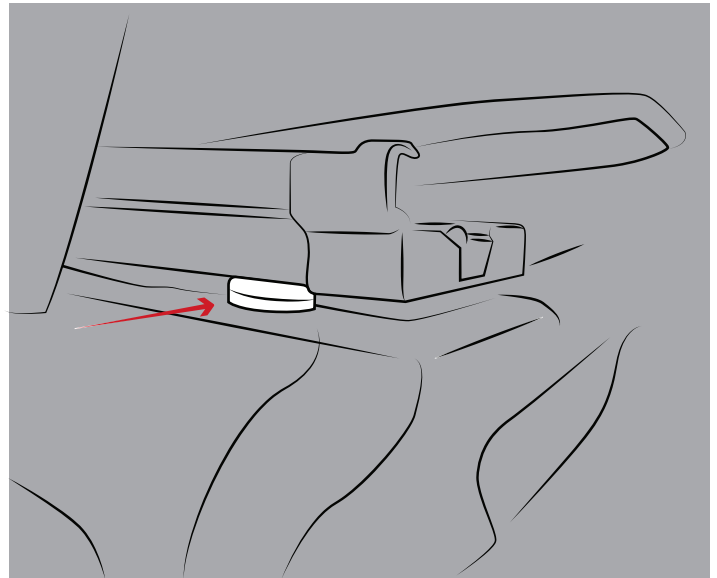
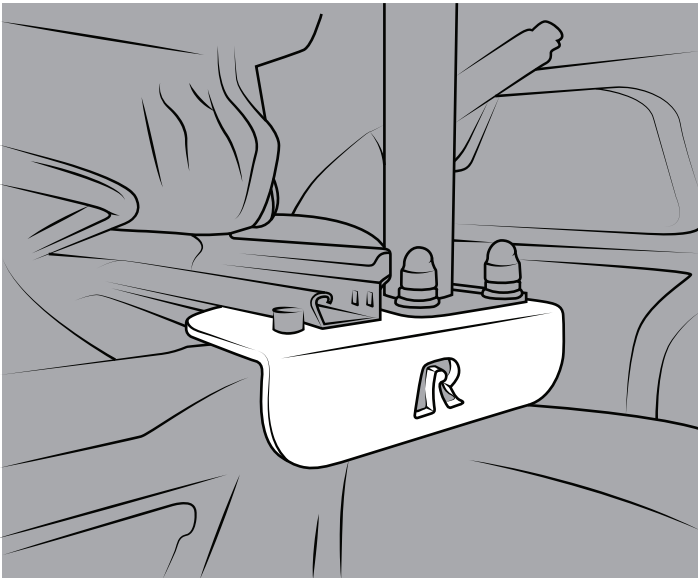
Safety Precaution

Do not install this product near or over an airbag deployment area or in a location that obstructs the driver's vision or interferes with vehicle operation. National Products, Inc does not assume responsibility or liability for any such personal injury, death or property damage.

Installation Instructions

Please read through the installation instructions entirely before beginning the installation of this product.

- 1 Move the passenger side seat to it's most forward position.
- 2 Using a T-40 Torx bit, loosen but do not remove the two rear seat track bolts.
- 3 Move the passenger side seat to it's most rearward position.
- 4 Using a T-40 torx bit, remove the two front seat track bolts on the passenger side seat.
- 5 Using a T-45, remove the bolt at the inside front of the seat frame box.
- 6 Gently tilt the seat back creating a gap between the seat frame box and seat track.
- 7 Place the RAM® No-Drill™ base at the front inside corner of the seat frame box.
- 8 Place the spacer washer over the mounting hole located on the door side where you removed the bolt.
- 9 Lower the seat back down and re-install / re-tighten all the seat mounting bolts. This includes the bolt at the inside front of the seat frame box that requires the use of the T-45 torx bit.



RMR-INS-VB-194



Safety Precaution

Do not install this product near or over an airbag deployment area or in a location that obstructs the driver's vision or interferes with vehicle operation. National Products, Inc does not assume responsibility or liability for any such personal injury, death or property damage.