

Specifications

Placement

Passenger side front floor pan area

Seat Configuration

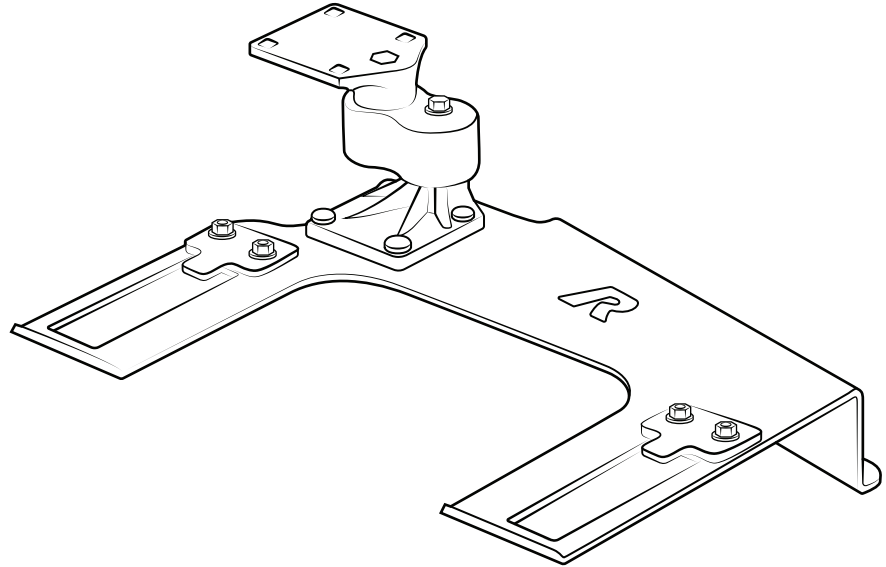
Bucket seats

Drilling Required

No drilling - Mounts under passenger side seat between front seat hooks and floor board.

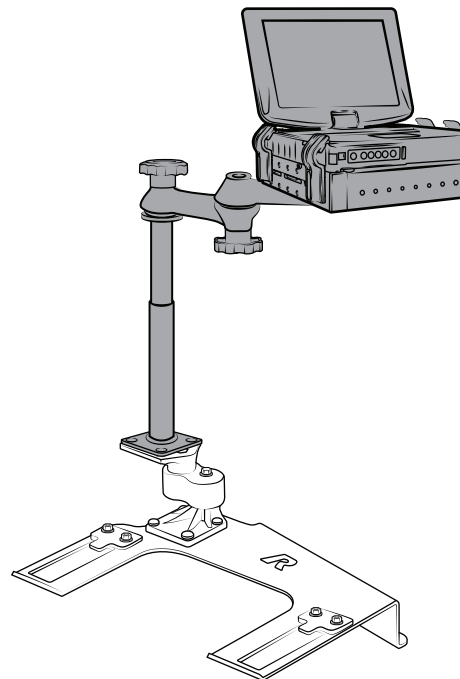
Construction/Finish

Steel/Black powder coat



Important Note

The RAM-VB-193 base is best used in bucket seat vehicles with a full center console. For trucks with a 40/20/40 bench seat, the RAM-VB-191 is also an option. To install the RAM-VB-193, the plastic trim nearest to the passenger door may need to be cut or modified to accommodate the no drill base once installed. If this cannot be done in your vehicle, or you are not comfortable with this, you should not purchase this product. Note that the RAM-VB-191 will not work in vehicles with the 4x4 lever on the center hump of the vehicle. The RAM-VB-191 is for 4x2 trucks only.



RMR-INS-VB-193



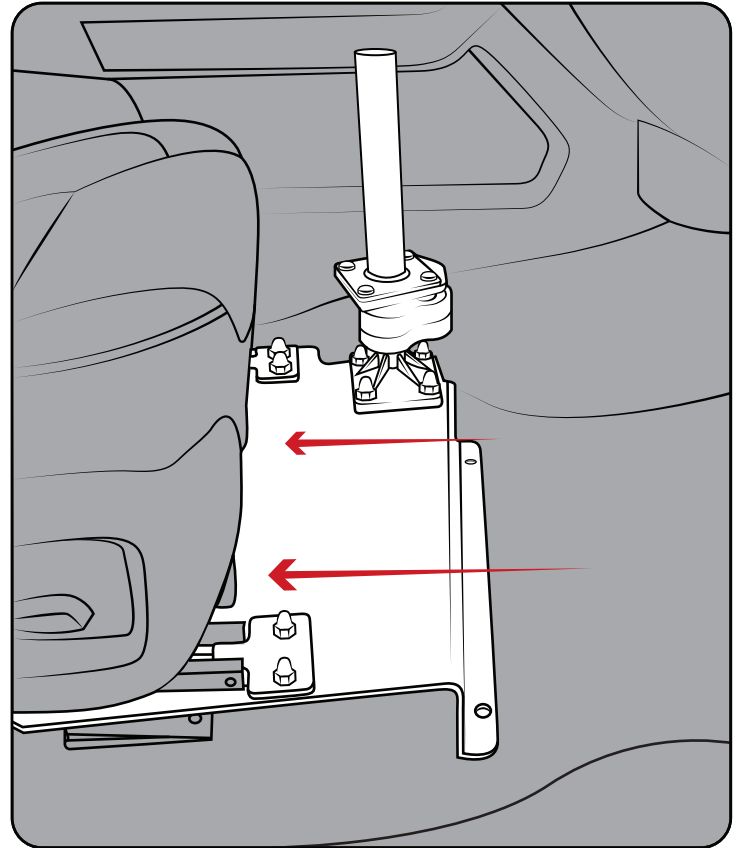
Safety Precaution

Do not install this product near or over an airbag deployment area or in a location that obstructs the driver's vision or interferes with vehicle operation. National Products, Inc does not assume responsibility or liability for any such personal injury, death or property damage.

Installation Instructions

For a video demonstration of this install please visit rammount.com/instructions

- 1 Carefully remove plastic trim if installed over the front and rear seat leg locations. Note that after installation, some of these trim pieces may need to be modified to re-install around or over the installed base.
- 2 Move the passenger side seat to its most forward position. Using a T50 torx bit, remove the two rear seat leg bolts. Once the bolts are removed, move the seat all the way using the seat adjustment lever or switch.
- 3 You can tilt the seat forward and gently lift to free the front seat leg hooks from the floor. With the seat free, set it back down and allow it to lean back so there is room to place the base over the exposed slots in the floor.
- 4 With the base positioned over the hook slots, gently lift and tilt the seat forward so the hooks can be re-inserted through the opening in the base and into the floor pan. The door side rear seat leg has a positioning pin that must be aligned to allow the seat to properly rest in its original position.
- 5 The front of the rectangular openings of the base should be at the front edge of the seat track on both sides when properly set. There may be some resistance but the base can be slid back and forth to position it properly prior to securing the T plates in Step 6.
- 6 Angle the T plates under the seat track and lower them over the studs. Using the washers and nuts provided, secure the T plates to the base. As these nuts are tightened down, the base will be locked into place.
- 7 With the base secure, move the seat to its most forward position using the seat lever or switch. Re-install the two bolts previously removed using the T50 torx bit. Fully tighten and replace trim if desired. Note that as previously stated, some trim pieces may need modification in order to be re-installed.



RMR-INS-VB-193



Safety Precaution

Do not install this product near or over an airbag deployment area or in a location that obstructs the driver's vision or interferes with vehicle operation. National Products, Inc does not assume responsibility or liability for any such personal injury, death or property damage.