

## Specifications

### Placement

Passenger side floor board,  
over seat frame legs

### Seat Configuration

Bucket/Bench

### Construction/Finish

Steel/Black powder coat

### Dimensions

(A) 18.15" (B) 7.05" (C) 3.74"  
(Hole Center) 11.5"

### Pole or Pedestal

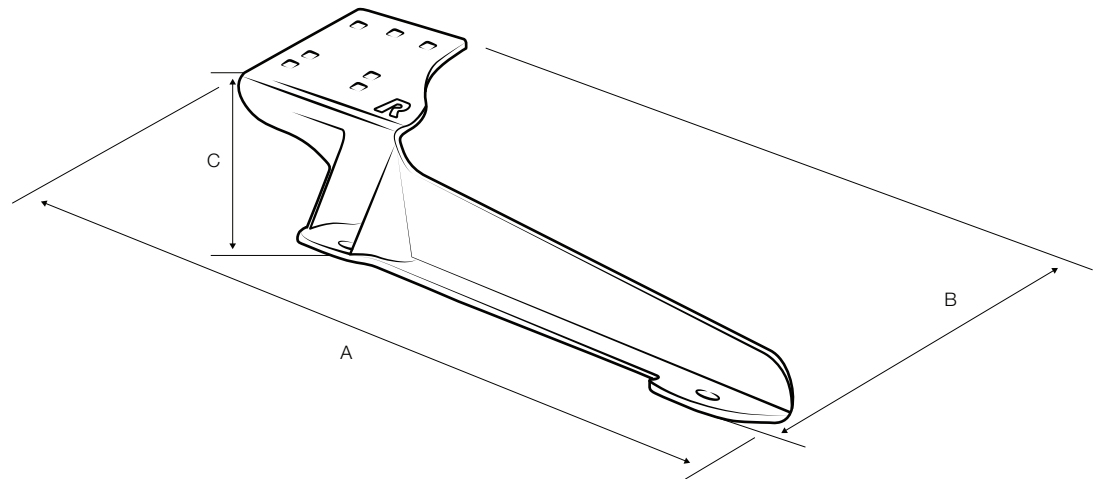
Purchased separately

### Weight

9.4 lbs.

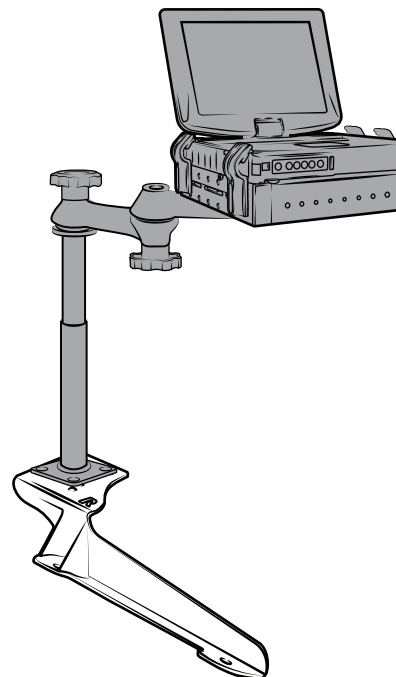
### Tools required for base installation

- Ratchet wrench
- 19mm socket with universal joint extension
- 13/16" socket for seat leg bolt removal



## Important Note

For model year trucks 1999 through 2010, the use of the one inch stand offs is required. For 2011 model year trucks, the tallest stand offs are required to clear the under seat air duct in the extended cab or crew models. For bench seats, it is necessary to expose the hump side mounting hole and tap it so the supplied bolt has an anchor point. You will need an M12-1.75 tap.



RMR-INS-VB-185



### Safety Precaution

Do not install this product near or over an airbag deployment area or in a location that obstructs the driver's vision or interferes with vehicle operation. National Products, Inc does not assume responsibility or liability for any such personal injury, death or property damage.

## Installation Instructions

### Bucket Seat Instructions

Depending on the model year of the truck, you may need a T-55 torx bit or common hex shaped socket to remove the factory seat leg bolts.

- 1 Remove the front seat bolts from the passenger side of the seat. This will require the use of the tools suggested above. Once the bolts have been removed, place the appropriate stand off over the threaded hole now visible in the seat frame legs. For 1999 through 2010 model year trucks, the one inch tall stand off is used. For 2011 and newer model years, the 2 3/8" tall stand offs are used.
- 2 Place the correct stand off over the seat leg holes. Pass the appropriate size bolt through the washer and then through the hole in the no drill base. Align the base with bolts with the stand offs and start the thread by hand. Once the bolt thread has been started, use the socket wrench with wobble to begin tightening the bolts.

### Bench Seat Instructions

- 1 Remove the front seat bolt from the passenger side of the seat nearest the door. The hole near the hump will have to be exposed as it is often covered by the flooring material in bench seat models. Make a small u-shaped cut and fold back the flap to expose the hole at the center of the depression in the flooring. Carefully tap out the exposed hole with an M12-1.75 tap if it is not already threaded. Once tapped, place the black 1.75" OD washer over this hole. The stand off used in the next step will rest on top of this washer.
- 2 Place the short, one inch tall stand offs over the hole in the seat frame leg and the hole that is now exposed near the hump. Next, pass the M12-1.75 x 60 bolt through the supplied washer and then through the metal base at each end.
- 3 Place the base with the bolts over the stand offs passing the bolts through them and begin tightening by hand the bolts into the floor board.
- 4 Once the thread has been started, use the socket wrench and appropriate size socket with the wobble to fully tighten these bolts and secure the base to the floor board.

This kit includes a stabilizer foot package. One or both may be used. This is designed to better support heavier items that may cause the base to flex or bounce. The use of the stabilizer foot is recommended to reduce bounce in all applications. Simply replace one of the carriage bolts holding the pole system or riser in place with the stabilizer foot as shown. You will need a box wrench to tighten the hardware. The part number for the stabilizer foot kit is RAM-FOOT2-2. Slide the bolt through the foot, slide a lock washer over the thread so it rest on the foot. Place a nut over the thread and tighten to secure the foot over the head of the bolt. Next, thread a nut over the bolt and slide another lock washer over the bolt. Pass the foot up through the base from the bottom. Once through the base, slide the flat washer, lock washer, then thread the nut over the bolt. Position foot while hardware is loose so it is supporting the base off the floor. Once in position, tighten the nut so that it forces the foot down against the floor. Secure with remaining nut and washers on top.

RMR-INS-VB-185



### Safety Precaution

Do not install this product near or over an airbag deployment area or in a location that obstructs the driver's vision or interferes with vehicle operation. National Products, Inc does not assume responsibility or liability for any such personal injury, death or property damage.

