

Item Number _____

RAM-VB-170 & RAM-VB-170-SW1

RAM No-Drill™ Seat Bases

RAM Mounting Systems

SPECIFICATIONS

Placement

Passenger side on the floor, under front seat

Drilling Required

No - uses existing seat bolts

Seat Configuration

Bucket

Pole or Pedestal

Sold Separately

Construction/Finish

Steel/Black Powdercoat

Weight

N/A

Dimensions

A = 15.25", B = 6.43", C = 2.84"

Hole Center = 11.50"

Features

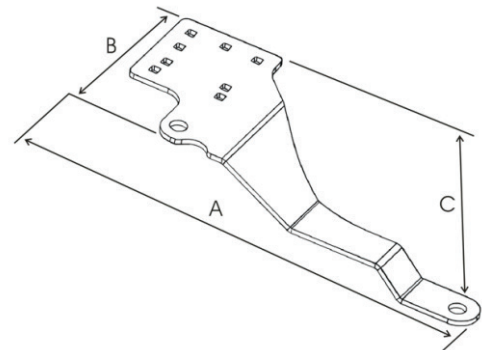
Installs in minutes with no drilling required
Low profile keeps mount away from passenger leg space

Misc.

Rock solid construction
Lifetime warranty



RAM-VB-170-SW1



RAM-VB-170

RAM Mounting Systems

8410 Dallas Ave S
Seattle, WA 98108
Phone: (206) 763-8361
Fax: (206) 763-9615
www.rammount.com
support@rammount.com



RMR-INS-VB-170

Item Number _____

RAM-VB-170 & RAM-VB-170-SW1

RAM No-Drill™ Seat Bases
RAM Mounting Systems

INSTALLATION INSTRUCTIONS

1. Locate and remove the two front seat rail bolts holding the passenger side seat to the floor board.
2. Place the No-Drill™ base over the inner most seat frame leg and under the outer most seat frame leg nearest the door.
3. Align the holes in the base with those of the seat frame legs.
4. Replace the two bolts and fully tighten.
5. After a week of use or a day of off road use, check seat leg bolts and retighten if necessary.



RAM Mounting Systems
8410 Dallas Ave S
Seattle, WA 98108
Phone: (206) 763-8361
Fax: (206) 763-9615
www.rammount.com
support@rammount.com



RMR-INS-VB-170