

Specifications

Placement

Front seat, passenger side, where seat rail frame attaches to floor

Seat Configuration

Bucket

Drilling Required

None - uses existing seat bolts

Construction/Finish

Black powder-coated steel

Dimensions

A = 20.25" B = 7.25" C = 3.5"

Outside slot seat bolt distance: 17.75" center to center

Inside hole seat bolt distance: 16" center to center

Weight

2.8 lbs.

Pole or Pedestal

Order separately

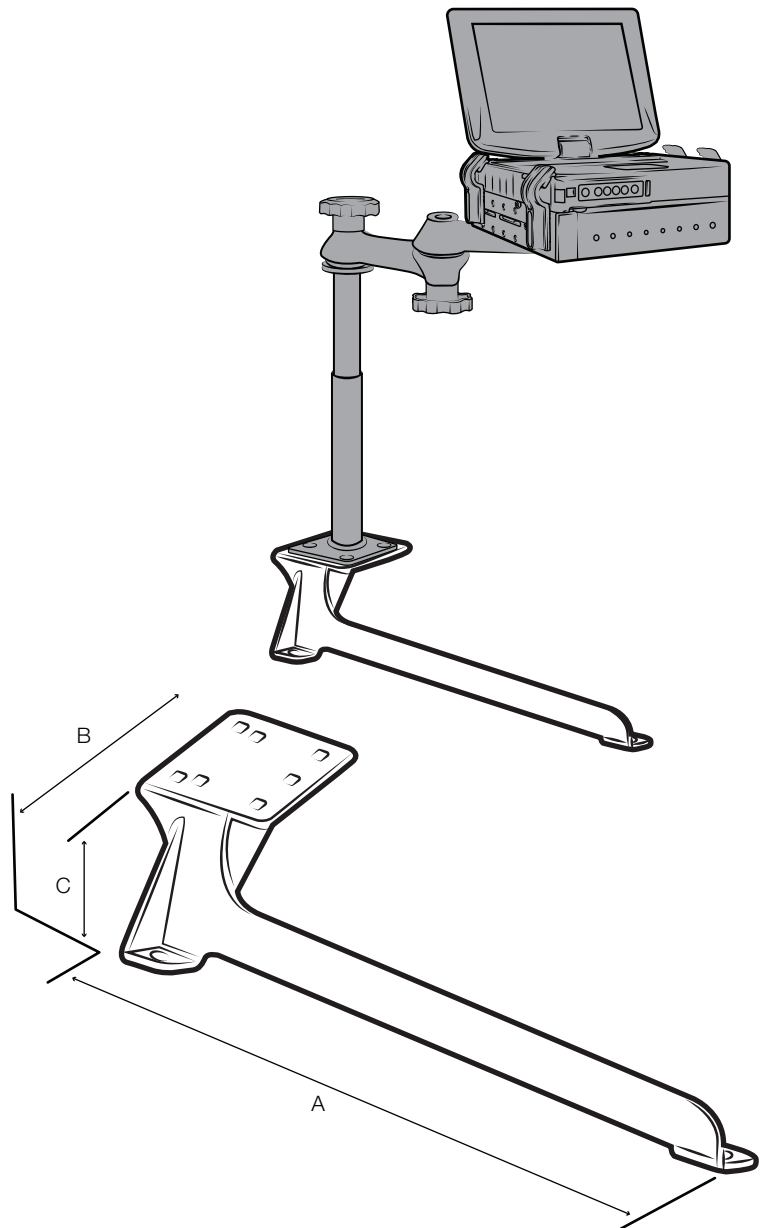
Features

Installs in minutes with no drilling required

Minimal interference with passenger leg space

Rock-solid construction

Lifetime warranty



Installation Instructions

- 1 Move the passenger seat back to its rearmost position and remove the front seat leg bolts. Store these bolts for later use.
- 2 Without moving the seat, place the No-Drill™ base over the front of the seat frame legs.
- 3 Align the holes in the metal base with those in the seat frame and floor.
- 4 Place the stand-offs supplied in the kit over threaded holes and position the RAM® No-Drill™ base over them.
- 5 Place the flat washers over the supplied longer bolts and thread by hand through the base, stand-offs, and into the floor.
- 6 With both bolts started by hand, use a socket wrench to fully tighten the mounting hardware and secure the base.

RMR-INS-VB-154



Safety Precaution

Do not install this product near or over an airbag deployment area or in a location that obstructs the driver's vision or interferes with vehicle operation. National Products, Inc does not assume responsibility or liability for any such personal injury, death or property damage.