

## Specifications

### Placement

Front seat, passenger side

### Seat Configuration

Bucket

### Drilling Required

None - uses existing seat bolts

### Construction/Finish

Black powder-coated steel

### Dimensions

A = 19.687" B = 7.25" C = 1"

Outside slot seat bolt distance: 17.75" center to center

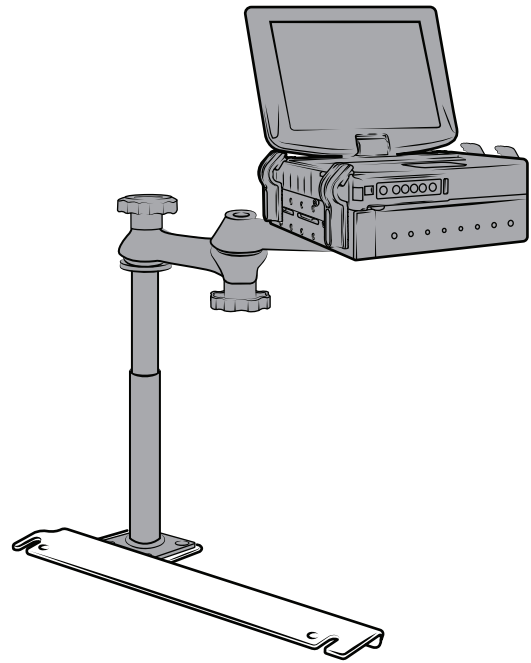
Inside hole seat bolt distance: 16" center to center

### Weight

6 pounds

### Pole or Pedestal

Order separately



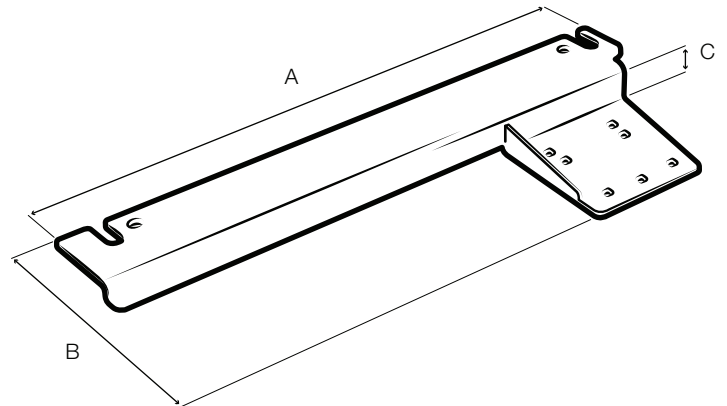
## Features

Installs in minutes with no drilling required

Minimal interference with passenger leg space

Rock-solid construction

Lifetime warranty



## Installation Instructions

- 1 Move the passenger seat back to its rearmost position and remove the front seat leg bolts.
- 2 Move the passenger seat to its most forward position and loosen the two rear seat leg bolts (do not remove).
- 3 Now, move the passenger side seat all the way back again and gently raise the front seat legs off the floor.
- 4 Place the RAM® No-Drill™ base between the seat frame legs and floor board.
- 5 Lower the seat down over the base, check alignment of the holes, and re-install the front seat bolts starting the thread by hand. Fully tighten and torque all 4 seat bolts previously loosened or removed.

RMR-INS-VB-148



### Safety Precaution

Do not install this product near or over an airbag deployment area or in a location that obstructs the driver's vision or interferes with vehicle operation. National Products, Inc does not assume responsibility or liability for any such personal injury, death or property damage.