

Item Number
RAM-VB-146

RAM No-Drill™ Seat Bases

RAM Mounting Systems

SPECIFICATIONS

Placement: Passenger side front of the seat between the seat cushion and seat frame/track.

Drilling Required
No - uses existing seat bolts

Seat Configuration
Bucket

Construction/Finish
Steel/Black Powdercoat

Dimensions
A = 17.625", B = 13", C = 5.25", D = 3.5"
Hole Center = 10.625" min to 15.875" max

Features

Installs in minutes with no drilling required

Misc.

The RAM-VB-146 base will not fit the Dodge Caravan with Power Seats.

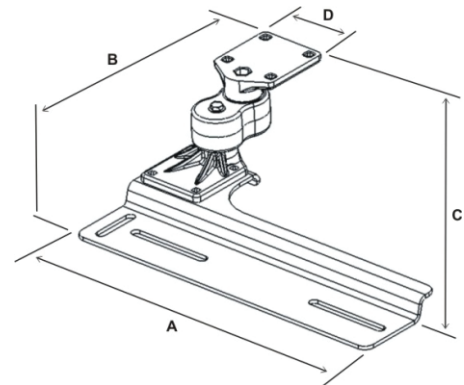
Pole or Pedestal
Sold Separately

Weight 8.2 lbs.

RAM®ADJUST-A-POLE™
Included With Base Patented



Shown In Use



RAM-VB-146

RAM Mounting Systems
8410 Dallas Ave S
Seattle, WA 98108
Phone: (206) 763-8361
Fax: (206) 763-9615
www.rammount.com
support@rammount.com



RMR-INS-VB-146

Item Number
RAM-VB-146

RAM No-Drill™ Seat Bases

RAM Mounting Systems



INSTALLATION INSTRUCTIONS FOR THE DODGE CARAVAN

1. Loosen then remove the nuts holding the front of the passenger side seat to the seat frame. Gently lift the front of the seat to clear the studs and slide the base in between the seat frame and seat cushion/track. Make sure the slots in the base line up with the studs in the vehicle seat.
2. With the base in place, lower the seat cushion back down over the base and studs. Replace the nuts on the seat studs and fully tighten.

INSTALLATION INSTRUCTIONS FOR UPLANDER, RELAY, Sv6

For your vehicle base installation you will need a 15MM and 18mm socket wrench.

1. Assemble the No-Drill™ seat rail base and Adjust-A-Pole™ and set aside.
2. Remove the two nuts holding the front seat frame rails to the floor board. These are located where the seat frame meets the floor board. These nuts require the 15MM socket. Once removed, move the seat to its most forward position.
3. Go to the rear of the seat and using the 18MM socket, remove the nuts holding the seat frame to the floor board at the back of the seat. Seat may want to tip backwards so use caution.
4. Go back to front of seat and lift the seat gently upward off of the floor mounted studs that pass through the seat frame.
5. Take the No-Drill™ base and Adjust-A-Pole™ assembly and place in between the seat frame legs and the floor board. On the left hand side of the seat, use the slot that passes front to back for the inner most seat rail stud. On the right side, place the slot over the seat stud.
6. Once the base is over the top of both seat studs, pull the base to the most forward position possible so as not to crush the air duct under the carpet. The base will not be perfectly square due to vehicle parts passing under the carpet. The Adjust-A-Pole™ will account for this once the base is fully installed.
7. You will notice a loom of wires passing out of the carpet to the underside of the passenger seat. There is a small indentation for these wires. It is important to make sure these wires are as close to, or within this indentation as possible so that they are not pinched between the base and floor board.
8. Now that the base is pulled forward and the wires are safe, lower the front of the seat back down over the seat studs. Make sure the seat studs are passing through the rear seat legs prior to starting the nuts. You may need to put a small amount of downward force on the seat to start them. Re-tighten the nuts.
9. Now move the seat as far forward as the seat rail base will allow.
10. Go to rear of seat and replace and tighten the seat nuts removed at step 3.
11. Move seat back to a comfortable position.

RAM Mounting Systems
8410 Dallas Ave S
Seattle, WA 98108
Phone: (206) 763-8361
Fax: (206) 763-9615
www.rammount.com
support@rammount.com



RMR-INS-VB-146