

Item Number _____

RAM-VB-140 & RAM-VB-140-SW1

RAM No-Drill™ Seat Bases

RAM Mounting Systems

SPECIFICATIONS

Placement

Attaches to upper section, left hand side of passenger seat. Base is designed to match contours and align with existing hole patterns for ease of installation.

Drilling Required

No - uses existing seat bolts

Pole or Pedestal
Included on Base

Seat Configuration
Bucket

Weight
8 lbs.

Construction/Finish
Steel/Black Powdercoat

Dimensions

A = 14.473", B = 9.875", C = 11.5"
Innermost Hole Center = 7"

Features

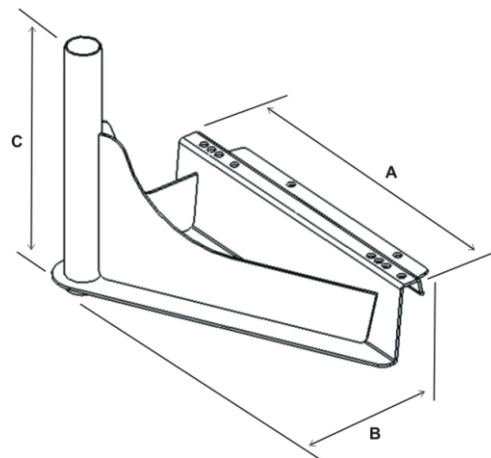
Installs in minutes with no drilling required
Low profile keeps mount away from passenger leg space

Misc.

Rock solid construction
Lifetime warranty



RAM-VB-140-SW1



RAM-VB-140

RAM Mounting Systems
8410 Dallas Ave S
Seattle, WA 98108
Phone: (206) 763-8361
Fax: (206) 763-9615
www.rammount.com
support@rammount.com



RMR-INS-VB-140

Item Number _____

RAM-VB-140 & RAM-VB-140-SW1

RAM No-Drill™ Seat Bases

RAM Mounting Systems

INSTALLATION INSTRUCTIONS

1. Remove the two nuts that hold the seat rail track to the seat frame. These are located on the lefthand side, underneath the seat. Remove metal framework of chair skirt
2. Place the custom metal base over the mounting bolts that hold the seat track to the seat frame, tube facing up.
3. While holding the metal base in place, replace metal skirt frame and put the nuts back onto the seat track bolts and fully tighten.

RAM Mounting Systems
8410 Dallas Ave S
Seattle, WA 98108
Phone: (206) 763-8361
Fax: (206) 763-9615
www.rammount.com
support@rammount.com



RMR-INS-VB-140