

**Item Number**  
RAM-VB-133

# RAM No-Drill™ Seat Bases

RAM Mounting Systems

## SPECIFICATIONS

### Placement

Passenger side of vehicle, front, where seat frame attaches to floor board.

### Drilling Required

No - uses existing seat bolts

### Seat Configuration

Bucket

### Construction/Finish

Steel/Black Powdercoat

### Pole or Pedestal

Sold Separately

### Dimensions

A = 19.875", B = 7.125", C = 2.5"  
Hole Centers = 18"

### Weight

5 lbs.



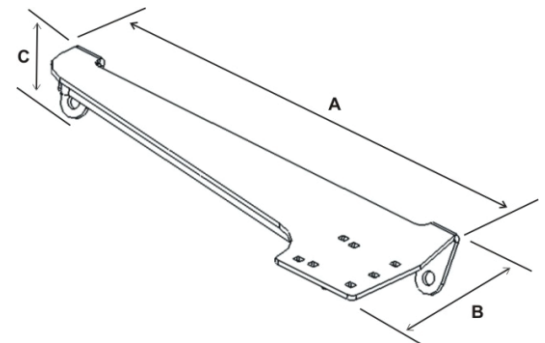
Shown In Use

## Features

Installs in minutes with no drilling required  
Low profile keeps mount away from passenger leg space

## Misc.

\* **Bench Seats:** the second mounting hole will have to be exposed by cutting a small opening in the carpet or vinyl  
On bench seat models



RAM-VB-133

**RAM Mounting Systems**  
8410 Dallas Ave S  
Seattle, WA 98108  
Phone: (206) 763-8361  
Fax: (206) 763-9615  
www.rammount.com  
support@rammount.com



RMR-INS-VB-133

**Item Number**  
RAM-VB-133

# RAM No-Drill™ Seat Bases

RAM Mounting Systems

## INSTALLATION INSTRUCTIONS

1. Move the passenger seat back to its rearmost position and remove the front seat rail bolts on the passenger side.
2. Without moving the seat, place the No-Drill™ base over the front of the seat frame legs.
3. Align the holes in the base with those of the seat frame legs. The pedestal platform should be near the console.
4. Re-install the seat bolts and fully tighten.

Compatible With Bucket Seats and

**\* Bench Seats: the second mounting hole will have to be exposed by cutting a small opening in the carpet or vinyl on bench seat models**

**RAM Mounting Systems**  
8410 Dallas Ave S  
Seattle, WA 98108  
Phone: (206) 763-8361  
Fax: (206) 763-9615  
[www.rammount.com](http://www.rammount.com)  
[support@rammount.com](mailto:support@rammount.com)



RMR-INS-VB-133