

Item Number _____

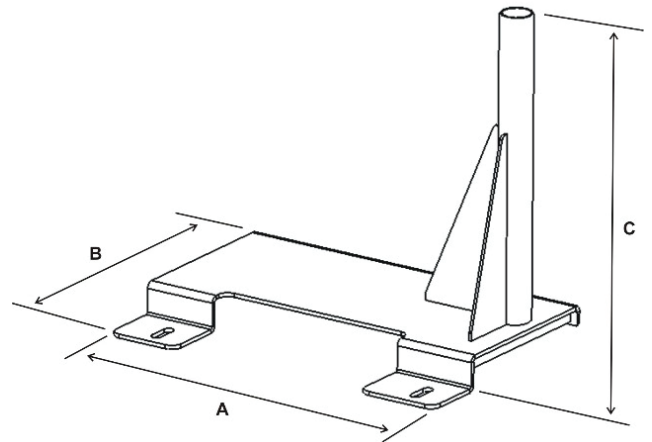
RAM-VB-120 & RAM-VB-120-SW1

RAM No-Drill™ Seat Bases

RAM Mounting Systems



RAM-VB-120-SW1



RAM-VB-120

SPECIFICATIONS

Placement

Passenger side on inner front and back seat studs

Drilling Required

No - uses existing seat bolts

Seat Configuration

Bucket/Bench

Pole or Pedestal

Ordered Separately

Construction/Finish

Steel/Black Powdercoat

Weight

10.5 lbs.

Dimensions

A = 17.5", B = 11.68", C = 16.13"

Hole Center = 14"

Features

Installs in minutes with no drilling required

Misc.

Rugged Steel Construction
Lifetime warranty

RAM Mounting Systems

8410 Dallas Ave S
Seattle, WA 98108
Phone: (206) 763-8361
Fax: (206) 763-9615
www.rammount.com
support@rammount.com



RMR-INS-VB-120

Item Number _____

RAM-VB-120 & RAM-VB-120-SW1

RAM No-Drill™ Seat Bases

RAM Mounting Systems

INSTALLATION INSTRUCTIONS

1. Remove the seat bolts that hold the left side of the passenger seat to the floor.
2. Place mounting base next to the left side of the passenger seat.
3. Gently lift the inside of the seat upward to allow the seat frame to clear the studs.
4. Place the base between the seat frame and align the holes in the base with the seat studs.
5. Lower the seat back down over the no drill base and seat studs.
6. Fully tighten factory hardware to secure base in place along with seat frame.

RAM Mounting Systems
8410 Dallas Ave S
Seattle, WA 98108
Phone: (206) 763-8361
Fax: (206) 763-9615
www.rammount.com
support@rammount.com



RMR-INS-VB-120