

Item Number
RAM-VB-112

RAM No-Drill™ Seat Bases

RAM Mounting Systems

SPECIFICATIONS

Placement

Passenger side on the floor, in front of seat

Drilling Required

No - uses existing seat bolts

Seat Configuration

Bucket

Construction/Finish

Steel/Black Powdercoat

Dimensions

A = 13", B = 3.63", C = 8.25", D = 17", Hole Center = 11.25

Pole or Pedestal

Purchased Separately

Weight

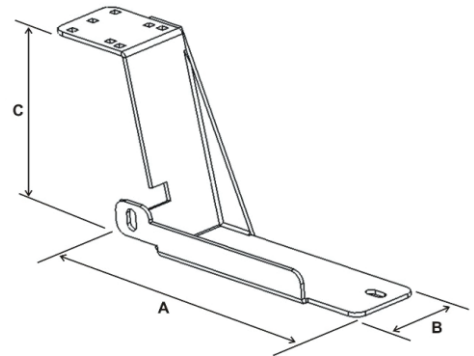
9.1 lbs.

Notes.

Step feature minimizes intrusion on passenger side leg space.
This base will not fit the Ford Explorer Sport 2-Door.



RAM-VB-112-SW1



RAM Mounting Systems
8410 Dallas Ave S
Seattle, WA 98108
Phone: (206) 763-8361
Fax: (206) 763-9615
www.rammount.com
support@rammount.com



RMR-INS-VB-112

Item Number
RAM-VB-112

RAM No-Drill™ Seat Bases

RAM Mounting Systems

INSTALLATION INSTRUCTIONS

If installing this base with a RAM Tele-Pole™ assembly, attach the lower female pole prior to installing the No-Drill™ base.

1. Move the passenger seat to its rearmost position and remove the plastic trim, covering the seat frame leg closest to the passenger side door. This piece may be replaced after installation or stored for later use.
2. Remove the front seat rail bolts using a 15MM socket wrench. Using an extension with the socket wrench is recommended.
3. Without moving the seat, place the No-Drill™ base over the front seat bracket and inline with the exposed threaded holes.
4. Re-install the seat bolts using the socket wrench with extension. Note that you may need to put some pressure on the front of the seat cushion to assist in re-aligning the seat rail bolt holes. Start threading the bolts by hand if possible to prevent any cross threading. Next, re-tighten the bolts.

Once installed, this base will lessen the amount of travel available to the passenger side seat.



RAM Mounting Systems
8410 Dallas Ave S
Seattle, WA 98108
Phone: (206) 763-8361
Fax: (206) 763-9615
www.rammount.com
support@rammount.com



RMR-INS-VB-112