

Item Number _____

RAM-VB-107 & RAM-VB-107-SW1

RAM No-Drill™ Seat Bases

RAM Mounting Systems

SPECIFICATIONS

Placement

Across transmission hump

Drilling Required

No - uses existing seat bolts

Seat Configuration

Bucket/60-40 split

Construction/Finish

Steel/Black Powdercoat

Pole or Pedestal

Ordered Separately

Weight

7.3 lbs.

Dimensions

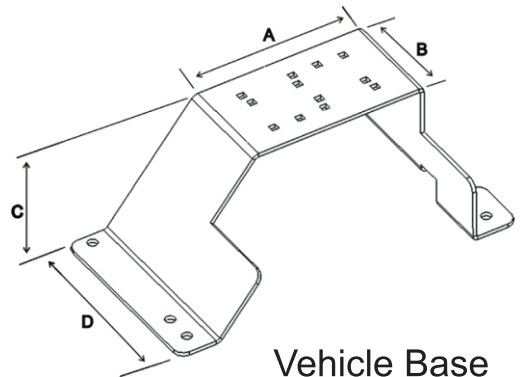
A = 8.75", B = 5", C = 5.75", D = 9.25"

Notes

Central mounting location moves pole away from passenger leg space. There base is formed from one piece of steel. Drilling may be required on vehicles with 60-40 split seats.



Complete Vehicle Mount
RAM-VB-107-SW1



Vehicle Base
RAM-VB-107

RAM Mounting Systems

8410 Dallas Ave S
Seattle, WA 98108
Phone: (206) 763-8361
Fax: (206) 763-9615
www.rammount.com
support@rammount.com



RMR-INS-VB-107

Item Number _____

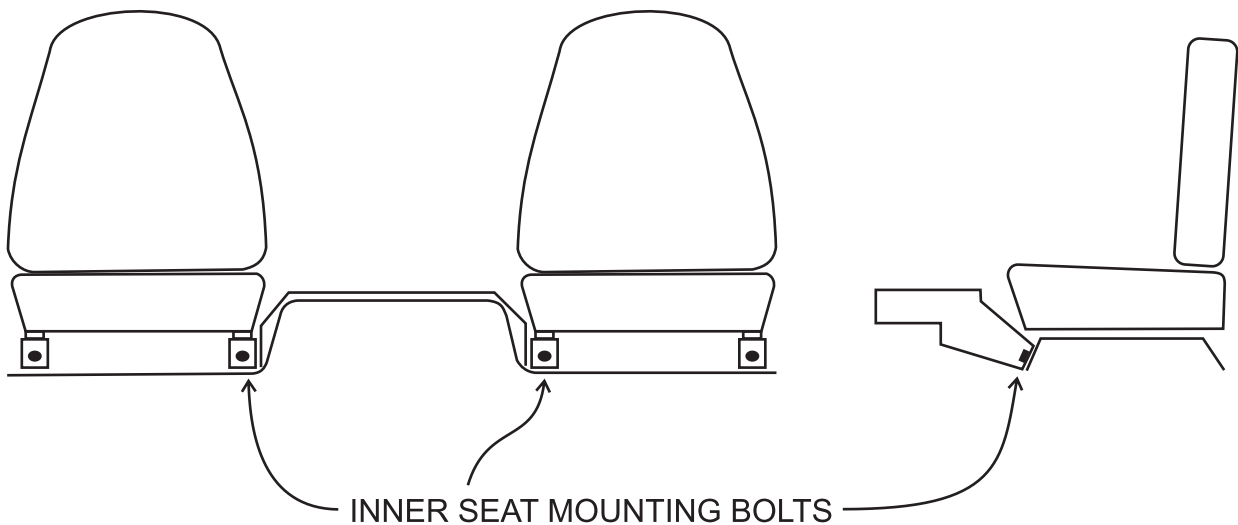
RAM-VB-107 & RAM-VB-107-SW1

RAM No-Drill™ Seat Bases

RAM Mounting Systems

INSTALLATION INSTRUCTIONS

1. Place both front seats in their most rear position.
2. Remove the drivers side front right and the passenger side front left seat mounting bolts (inner seat bolts).
3. Slightly lift both the passenger and driver seats and slide the No-Drill™ base between the floor of the vehicle and the bottom of the seat.
4. Align the holes and reinstall all of the seat bolts that have been removed.



RAM Mounting Systems
8410 Dallas Ave S
Seattle, WA 98108
Phone: (206) 763-8361
Fax: (206) 763-9615
www.rammount.com
support@rammount.com



RMR-INS-VB-107