

Item Number _____

RAM-VB-102 & RAM-VB-102-SW1

RAM No-Drill™ Seat Bases

RAM Mounting Systems

SPECIFICATIONS

Placement

Installs on passenger side in between seat
Cushion and seat rails.

Drilling Required

None - uses existing seat bolts

Seat Configuration

Bucket

Construction/Finish

Steel/Black Powdercoat

Dimensions

A = 16", B = 8", C = 4.69", D = 6.75", E = 4"
Hole Center = 11.75"

Pole or Pedestal

Ordered Separately

Weight

6.9 lbs.

Notes

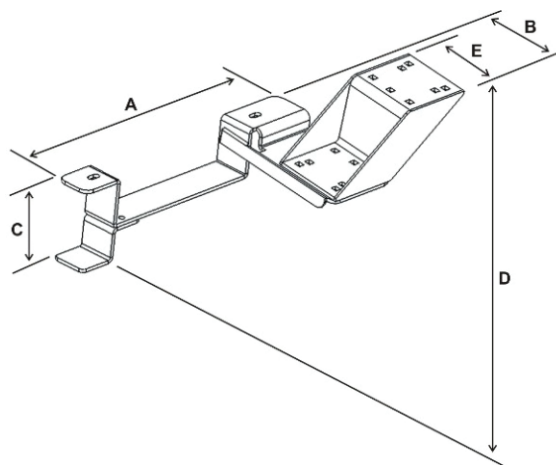
For vehicles with power seats please see RAM-VB-131A .
Angled step moves mount away from passenger leg space.
There are a total of 3 pieces of steel that make this part, 2
are welded together and the 3rd is bolted. Base will not
interfere with factory installed console or 4WD lever.

RAM Mounting Systems

8410 Dallas Ave S
Seattle, WA 98108
Phone: (206) 763-8361
Fax: (206) 763-9615
www.rammount.com
support@rammount.com



Complete Vehicle Mount
RAM-VB-102-SW1



RAM-VB-102, SHOWN WITH
RAM-VB-SB4 RISER (INCLUDED)



RMR-INS-VB-102

Item Number _____

RAM-VB-102 & RAM-VB-102-SW1

RAM No-Drill™ Seat Bases

RAM Mounting Systems

INSTALLATION INSTRUCTIONS

1. Remove the two front 5/16" hex nuts that hold the passenger side seat cushion to the seat track brackets.
2. Lift the front of the seat cushion off of the front of the the seat track brackets.
3. Position the VB-102 on top of the seat track brackets so the slots in the VB-102 line up with the holes in the seat track brackets.
4. Lower the seat cushion back into place, allowing the studs to pass through the holes in the VB-102 and seat track brackets.
5. Re-attach the two 5/16" hex nuts.

Optional Lever Stop Installation:

1. After mounting the vehicle base under seat, place seat in desired permanent position.
2. Attach the level stop plate onto the main seat base plate with the provided bolts. The lever stop plate should cover the seat lever after installation. This item is recommended to be installed though optional.



RAM Mounting Systems
8410 Dallas Ave S
Seattle, WA 98108
Phone: (206) 763-8361
Fax: (206) 763-9615
www.rammount.com
support@rammount.com



RMR-INS-VB-102