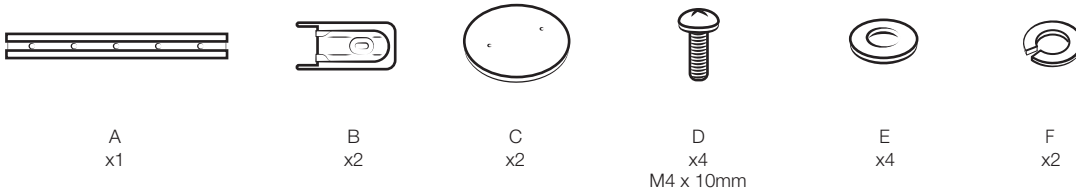




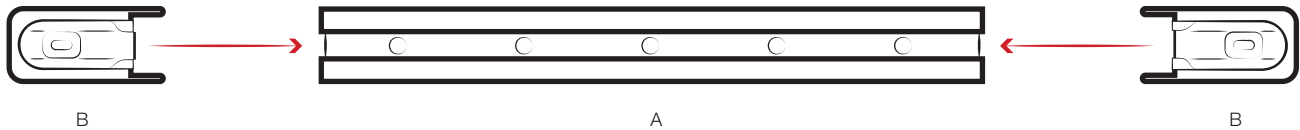
Attention: The magnets in this kit are incredibly strong and difficult to remove when locked against a ferrous surface. Please take extreme caution to prevent magnetic bases from making contact with each other and keep separated from ferrous surfaces until fully assembled.

Part Index

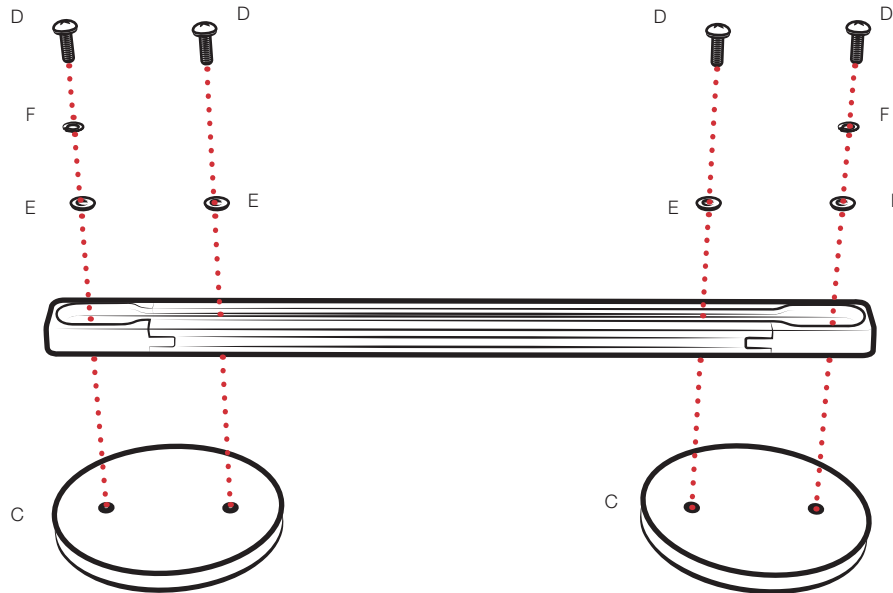
*not to scale



1 Connect (B) End Caps to each end of (A) Track.



2 Align the holes of each (C) Magnetic Base with the outer most holes of the Track + End Cap system. Secure in place using (D) Screws, (E) Flat Washers and (F) Lock Washers as shown.



RMR-INS-TRACK-MAG88



Safety Precaution

Do not install this product near or over an airbag deployment area or in a location that obstructs the driver's vision or interferes with vehicle operation. National Products, Inc does not assume responsibility or liability for any such personal injury, death or property damage.