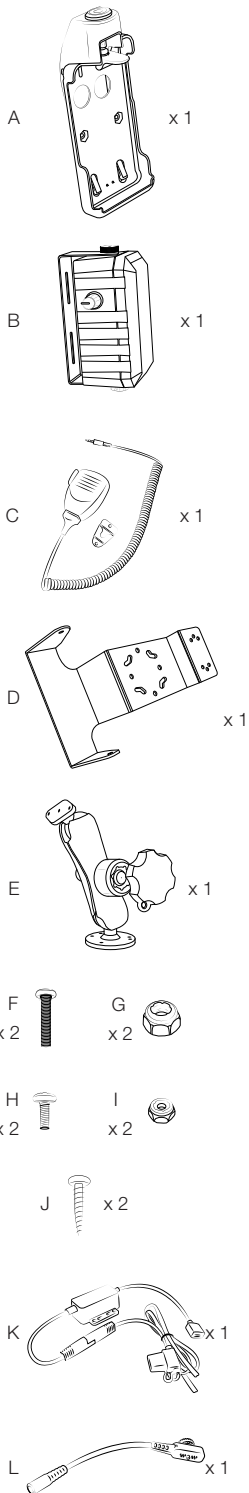
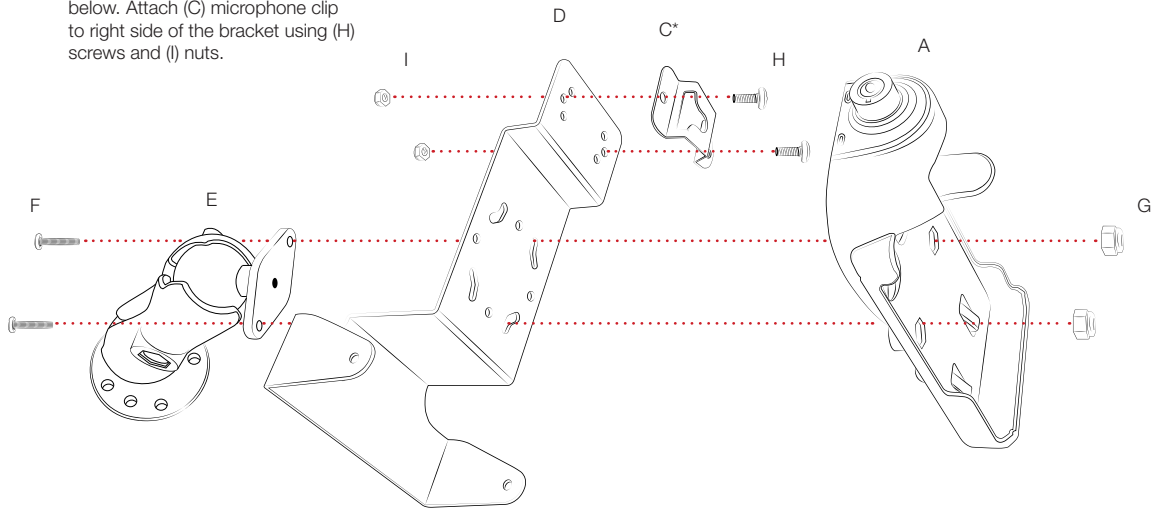


Part Index

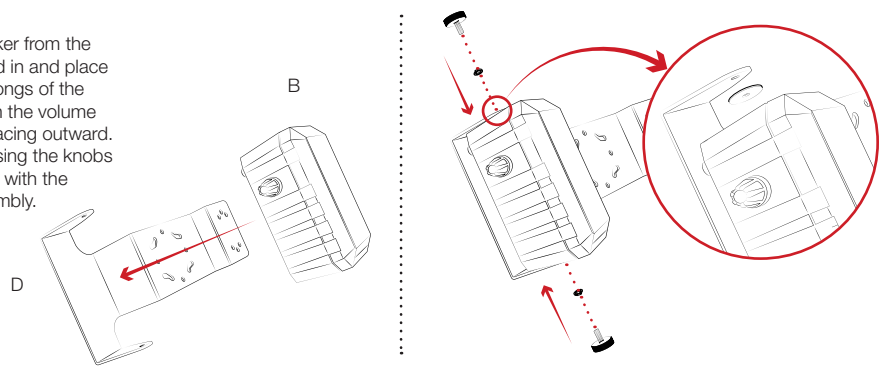
*not to scale



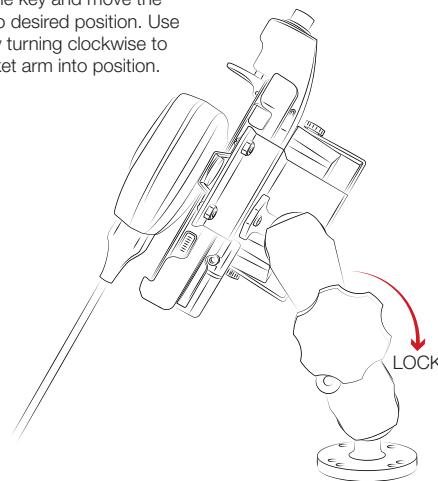
1 Assemble (E) double ball mount with (D) mounting bracket and (A) Sonim Cradle using hardware displayed below. Attach (C) microphone clip to right side of the bracket using (H) screws and (I) nuts.



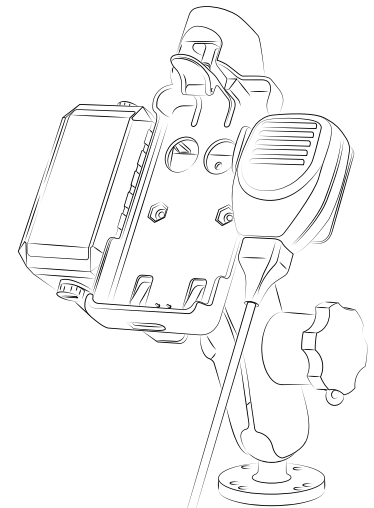
2 Remove the (B) Speaker from the bracket it was shipped in and place it between the two prongs of the mounting bracket with the volume knob of the speaker facing outward. Secure the speaker using the knobs and washers included with the external bracket assembly.



3 To adjust the position of the bracket, unlock the RAM® Pin-Lock™ knob using the key and move the socket arm to desired position. Use the same key turning clockwise to lock the socket arm into position.



Completed Assembly



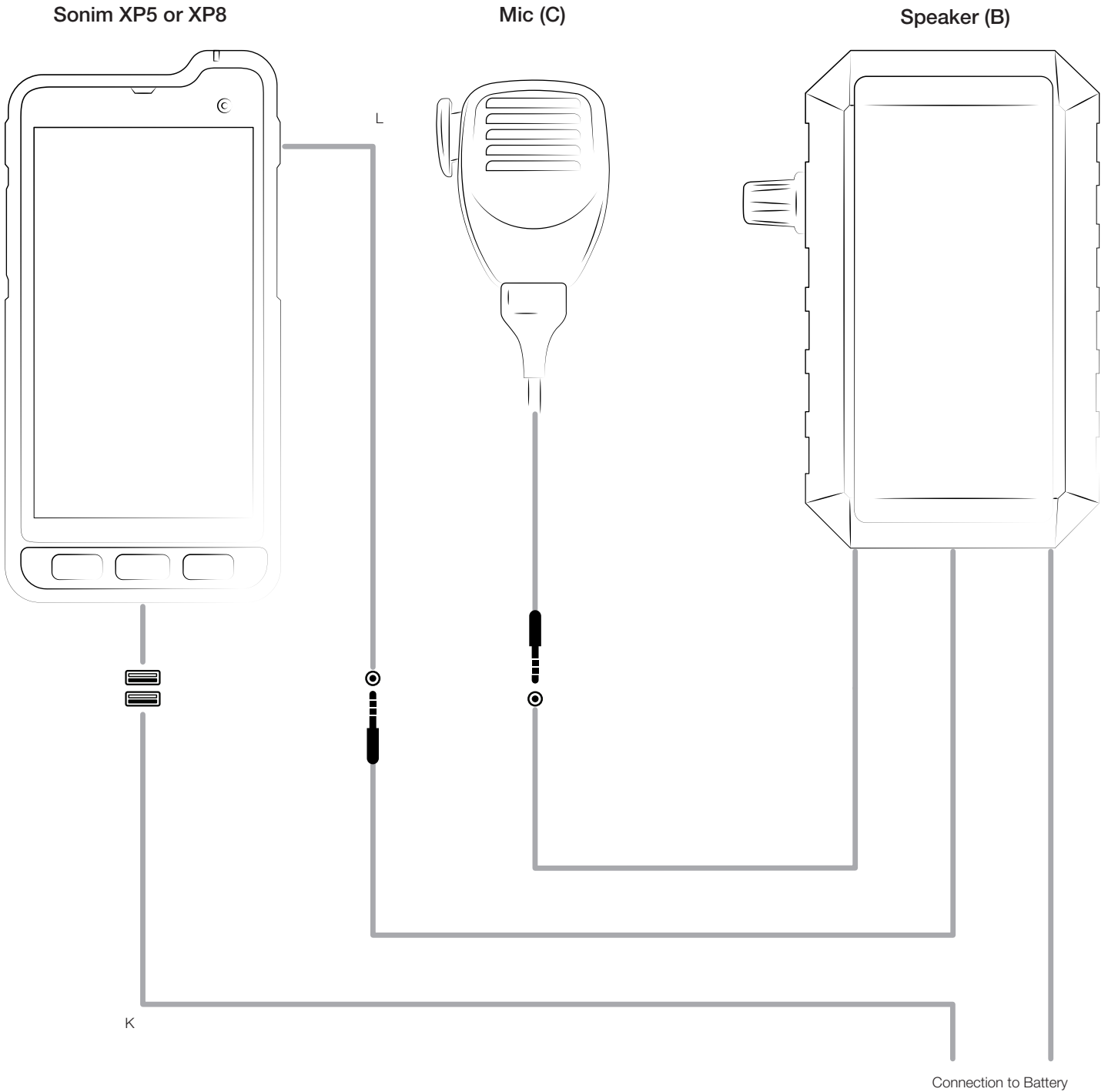
RMR-INS-SNMX



Safety Precaution

Do not install this product near or over an airbag deployment area or in a location that obstructs the driver's vision or interferes with vehicle operation. National Products, Inc does not assume responsibility or liability for any such personal injury, death or property damage.

4 Wiring Diagram



RMR-INS-SNMX



Safety Precaution

Do not install this product near or over an airbag deployment area or in a location that obstructs the driver's vision or interferes with vehicle operation. National Products, Inc does not assume responsibility or liability for any such personal injury, death or property damage.