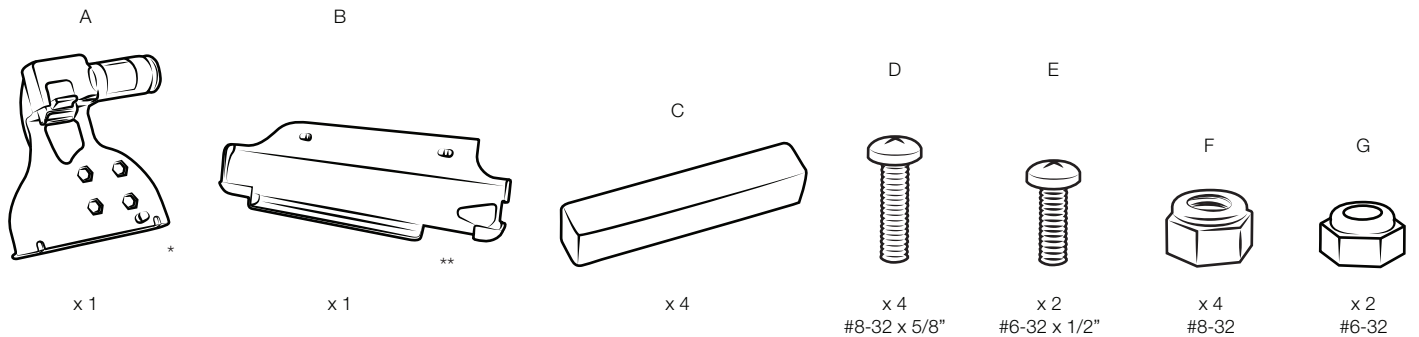


Parts Index

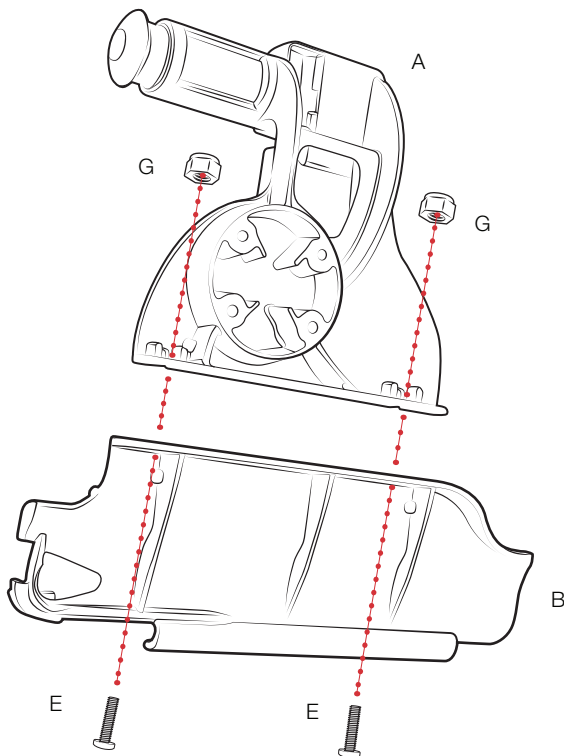
*not to scale



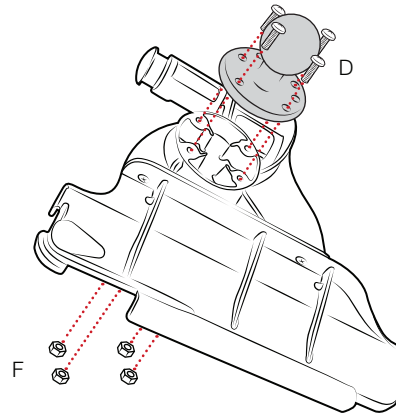
*Lock type may vary depending on key lock vs Combo lock

**Size/style may vary depending on device

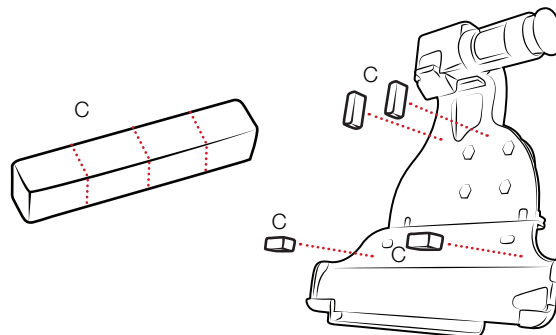
- 1 Attach (A) Top Body to (B) Bottom support using (E) screws and (G) Nuts.



- 2 Use (D) Machine Screws and (F) Nuts to connect holder to any RAM® Mount



- 3 Cut (C) foam pads into 4 even size pieces and attach to holder as shown. Pads may or may not be required depending on the thickness of any case used with device.



RMR-INS-SAM7L



Safety Precaution

Do not install this product near or over an airbag deployment area or in a location that obstructs the driver's vision or interferes with vehicle operation. National Products, Inc does not assume responsibility or liability for any such personal injury, death or property damage.