



**Safety Precaution**

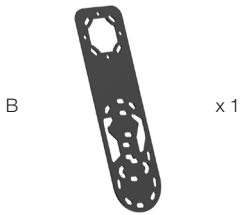
Do not install this product near or over an airbag deployment area or in a location that obstructs the driver's vision or interferes with vehicle operation. National Products, Inc does not assume responsibility or liability for any such personal injury, death or property damage.

To see more mounting options, visit [rammount.com](http://rammount.com)

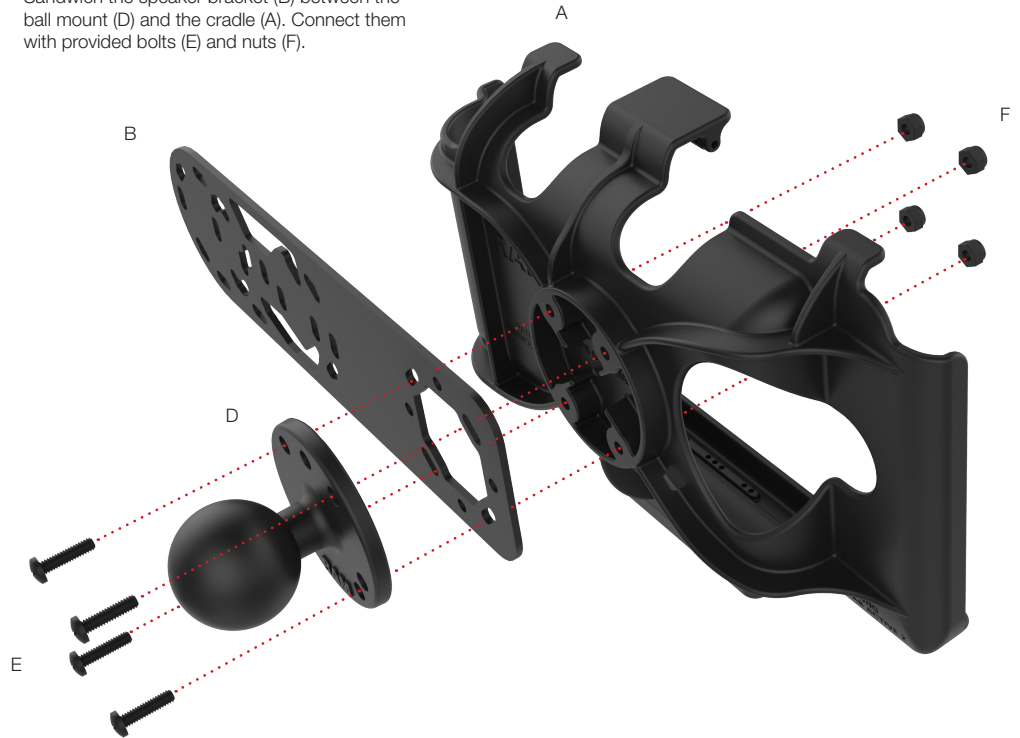
This document, including images, may not be reproduced partly or fully without the expressed written consent of National Products, Inc.

**Part Index**

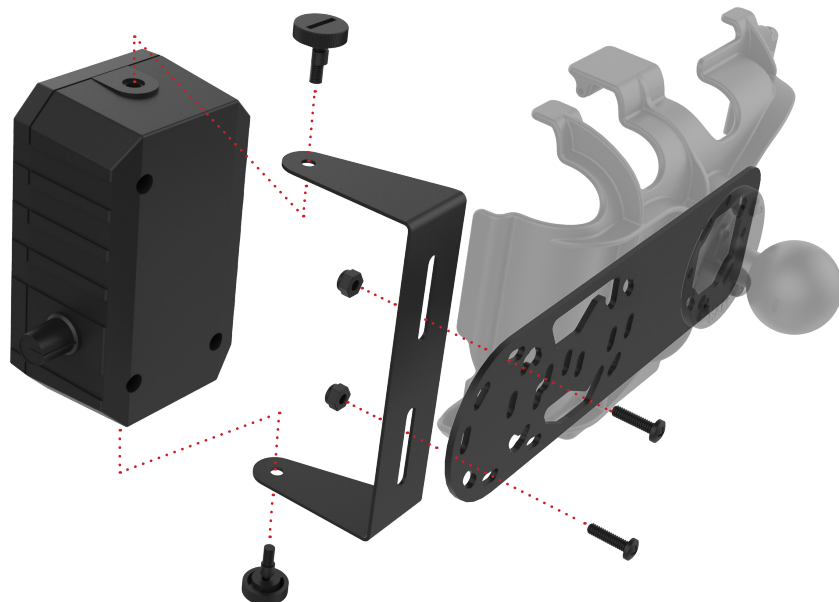
\*not to scale



**1** Sandwich the speaker bracket (B) between the ball mount (D) and the cradle (A). Connect them with provided bolts (E) and nuts (F).



**2** Remove thumbscrews from the speaker (C) to access mounting points on the speaker bracket. Attach speaker bracket with remaining bolts (E) and nuts (F) and then reassemble.



### Completed setup



### Part Index

\*not to scale



#### 4 Wiring Diagram

Connect 3.5 audio jack from the speaker to the included RAP-CAB-USBA-AUD35U cable (I) and connect that to the USB-A port on the cradle (A). Hardwire the loose red (+) and black (-) wires from the speaker to the trucks 12V ignition. For powering the device, connect the included USB cable (G) to the Micro USB end of the cradle (A) and connect that to the included hardwire power supply (H) that will ultimately be hardwired to the trucks 12V ignition.

