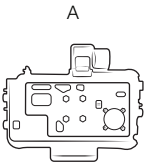


Parts Index

* not to scale

Patented & Pats. Pend.



x 1
Powered Dock



x 4
#8-32 x 5/8" Machine Screws



x 4
#8-32 Nylock Nuts

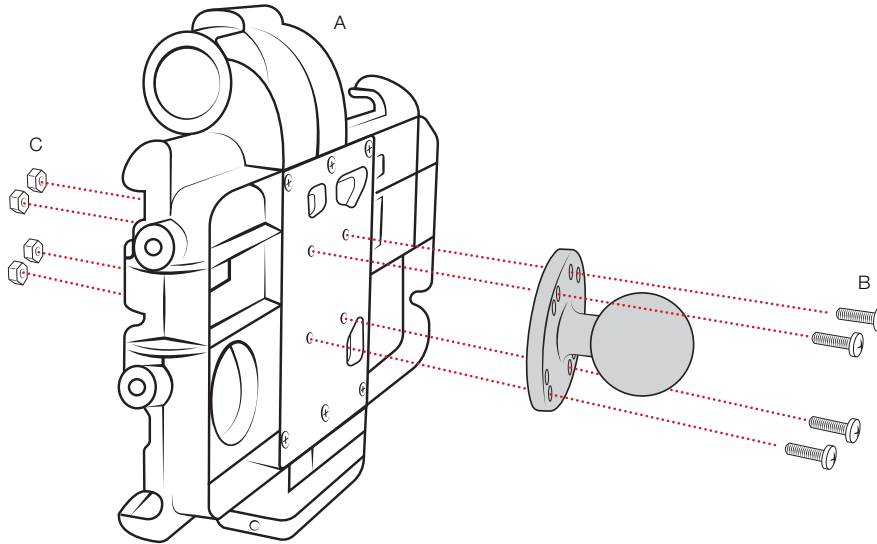


x 2
#8-32 x 1/2" Machine Screws

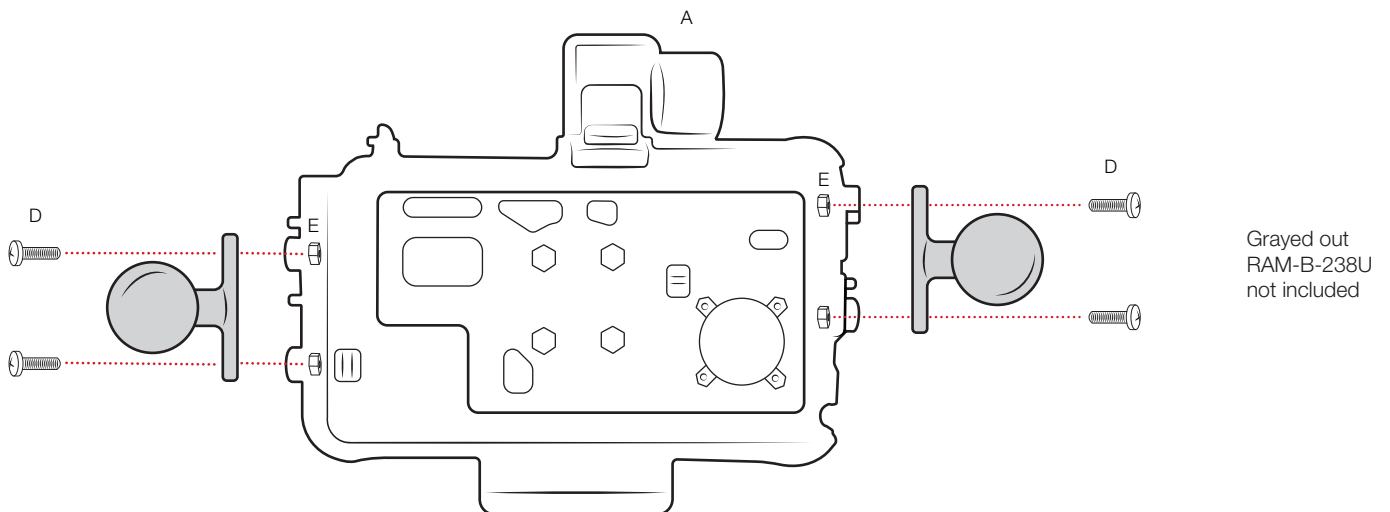


x 2
#8-32 Thin Nylock Nuts

- 1 Attach RAM® Mount component to back of (A) Dock using (B) Screws and (C) Nuts.



- 2 For side accessory mounting, connect any RAM® Ball with 2-Hole AMPS hole pattern to either side of (A) Dock using (D) Screws and (E) Thin Nuts.



RMR-INS-SAM58T



Safety Precaution

Do not install this product near or over an airbag deployment area or in a location that obstructs the driver's vision or interferes with vehicle operation. National Products, Inc does not assume responsibility or liability for any such personal injury, death or property damage.