

Part Index

*not to scale

Patent Pending



A
x1



B
x1

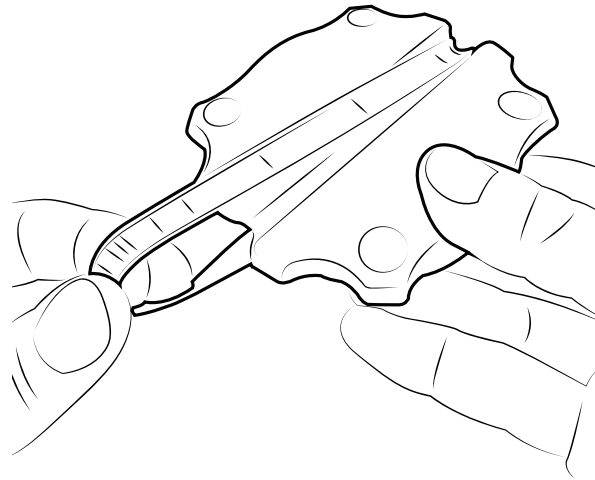


C
x1

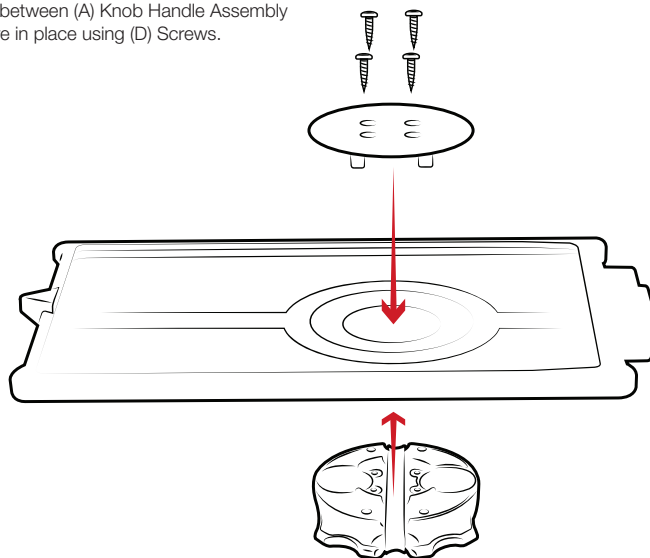


D
x4

- 1 Wrap (C) Strap around (A) Knob Handle.



- 3 Position IntelliSkin® or RAM® Skin™ between (A) Knob Handle Assembly and (B) Knob Cap as shown. Secure in place using (D) Screws.



Safety Precaution

Do not install this product near or over an airbag deployment area or in a location that obstructs the driver's vision or interferes with vehicle operation. National Products, Inc does not assume responsibility or liability for any such personal injury, death or property damage.