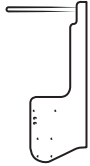


Part Index

*not to scale



A
x1



B
x1



C
x1



D
x2



E
x2



F
x2
#10-24 X 2"



G
x2



H
x2
#8-32 x 1/2"



I
x2



J
x8
#10-24 x 5/8"

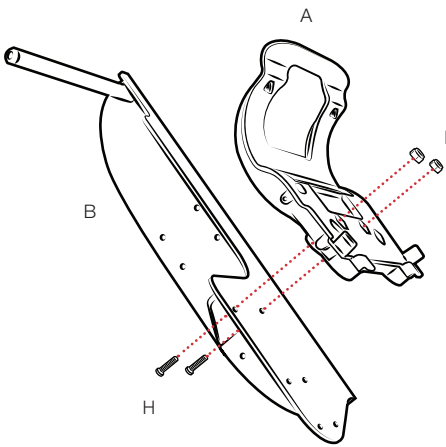


K
x8

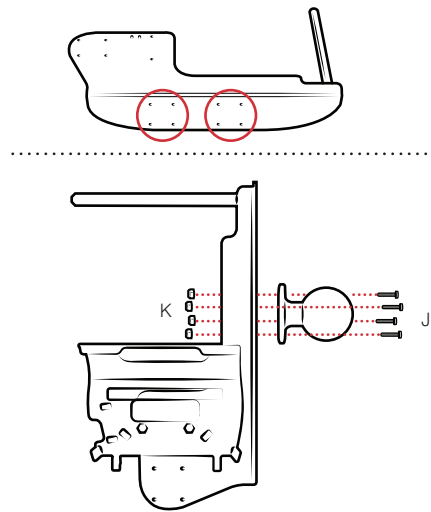


L
x2
#8 x 1/2"

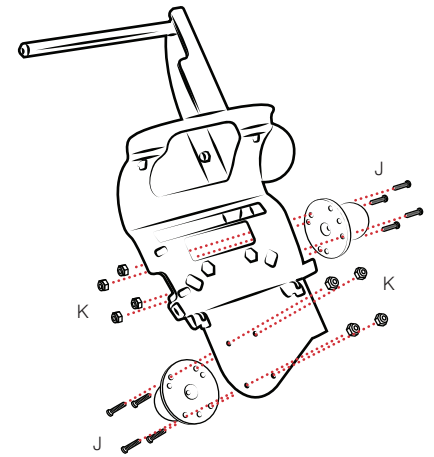
1 Connect (A) Holder to (B) Mount Bracket using (H) Screws and (I) Nuts.



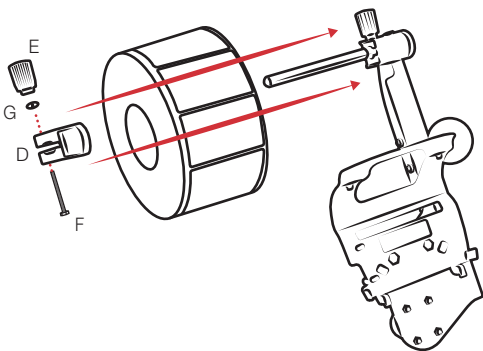
2 Connect D Size Forklift Mount to one of the side AMPS hole patterns using 4 (J) Screws and (K) Nuts.



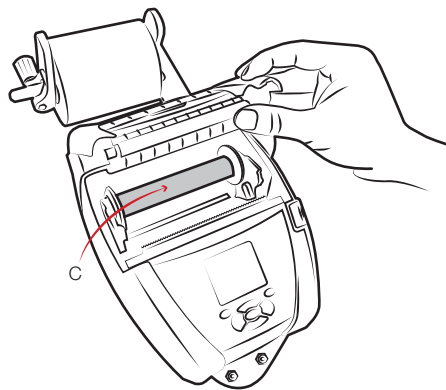
3 Connect optional mounting accessory to extra AMPS hole pattern using remaining (J) Screws & (K) Nuts. Connect optional hardwire charger (not included) to side of (A) Holder using (L) Screws.



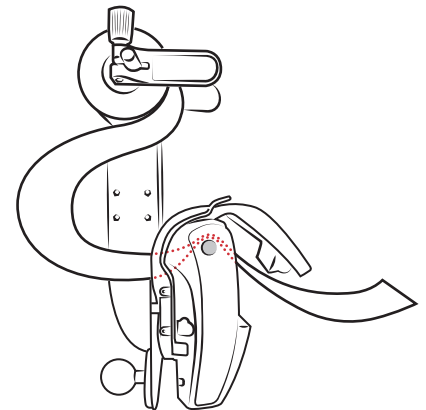
4 Assemble each (D) side support arm as shown with (F) Bolt, (G) Washer, and (E) Knob. Route each support arm onto the (B) Mount Bracket with paper feed in between, as shown.



5 Connect Zebra ZQ630 to holder and insert (C) Paper Feed Insert.



6 Align paper roll and feed labels into rear of printer, routing over the paper feed insert. Test print label and adjust alignment as needed.



RMR-INS-PM1-ZE31



Safety Precaution

Do not install this product near or over an airbag deployment area or in a location that obstructs the driver's vision or interferes with vehicle operation. National Products, Inc does not assume responsibility or liability for any such personal injury, death or property damage.