

Parts Index

* not to scale

Patented & Pats. Pend.
rammount.com/ip



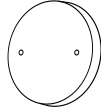
A

(1) Quick-Grip™ Body



B

(4) Quick-Grip™ Fingers



C

(1) Tough-Mag™ Adapter



D

(4) Screws
#6-32 x 3/8"



E

(4) Nylock Nut
#6-32



F

(2) Screw
M4 x 10mm



G

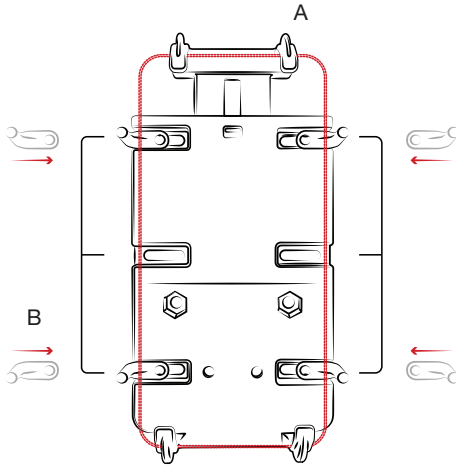
(2) Lock Washers
M4



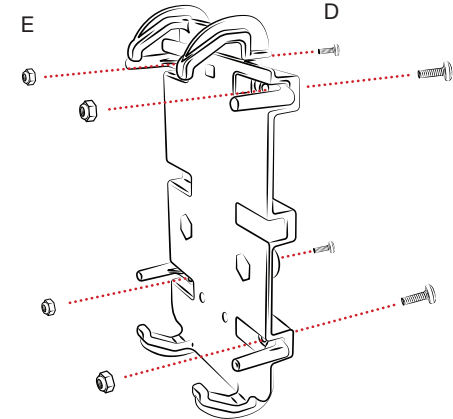
H

(2) Flat Washers
M4

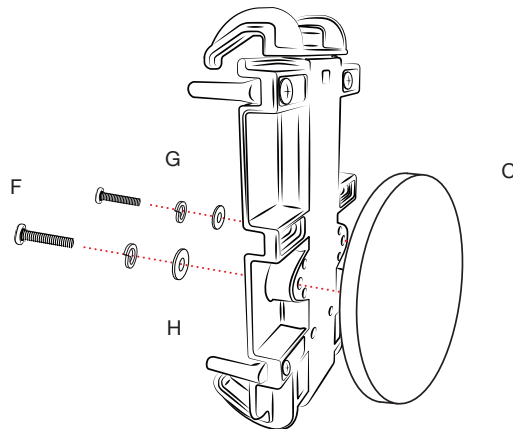
- 1** Insert phone into **(A) Quick-Grip™ Body**. Determine best placement of **(B) Fingers** to avoid blocking buttons.



- 2** Remove phone and attach **(B) Fingers** using **(D) screws** and **(E) nuts**. Insert phone again, position the fingers flush against device and fully tighten screws from behind.



- 3** Attach Quick-Grip™ to **(C) Tough-Mag™ Adapter** using **(F) Screws**, **(G) Washers**, and **(H) Washers**.



RMR-INS-PDX-MAG88



Safety Precaution

Do not install this product near or over an airbag deployment area or in a location that obstructs the driver's vision or interferes with vehicle operation. National Products, Inc does not assume responsibility or liability for any such personal injury, death or property damage.