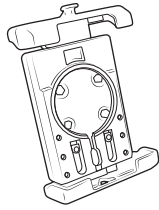


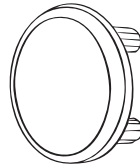
Parts Index

* not to scale

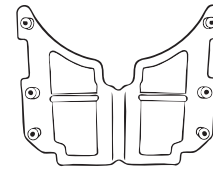
Patented & Pats. Pend.
rammount.com/ip



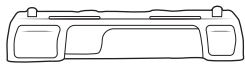
A
(1) Quick-Grip™ Pro XL Holder



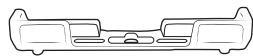
B
(1) Anti-Slip Pad



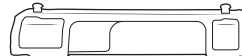
C
(1) Anti-Slip Cover



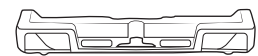
D
(1) Thin Top Insert



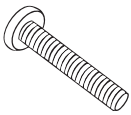
E
(1) Thin Bottom Insert



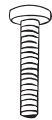
F
(1) Thick Top Insert



G
(1) Thick Bottom Insert



H
(2) #6-32 x 3/4" Screws



I
(2) #6-32 x 5/8" Screws



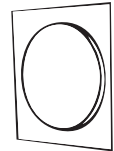
J
(2) #6-32 Nylock Nuts



K
(1) Tether



L
(1) Decal



M
(1) 53mm Adhesive Pad

Connect Your Phone

- Determine best fitting **Top Inserts (D or F)** and **Bottom Inserts (E or G)** for your phone. Once confirmed, install into **(A) Holder**.

GENERAL RULE



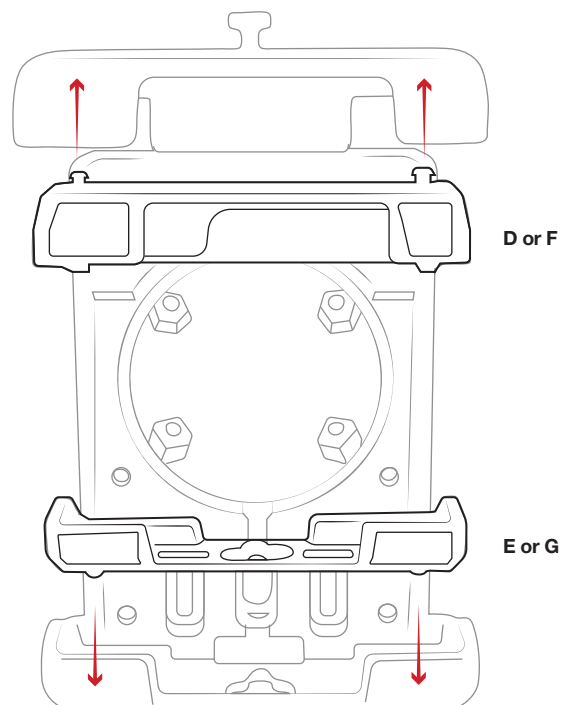
Small phones without case
Use **Thick Inserts (F & G)**



Large phones without case
Use **Thin Inserts (D & E)**



Phones with case and handheld PC's
No Inserts

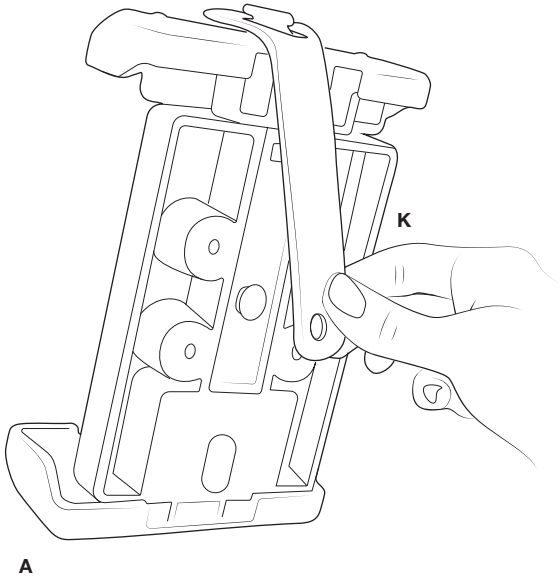


A

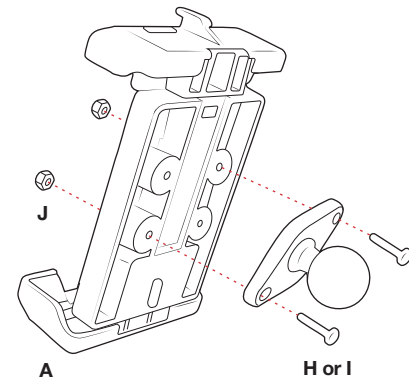
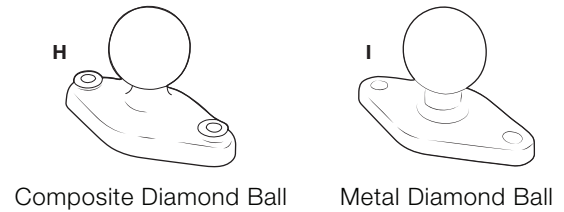
RMR-INS-PD7

Connect Ball and Tether

- 2** Optional **(K) Tether** recommended for rugged environments and open cockpit applications.

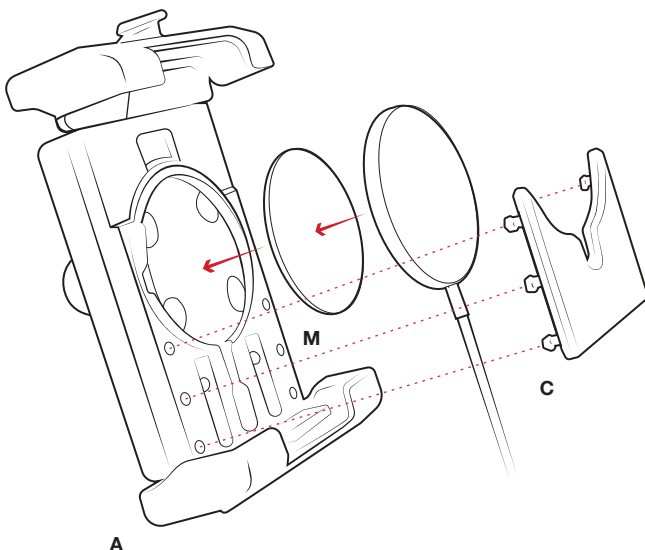


- 3** Secure ball base to holder. Use **(H) Screws** for Composite Diamond Ball and **(I) Screws** for Metal Diamond Ball.



For use with Wireless Charger

- 1** Place **(M) Adhesive** on the back of your wireless charger and adhere to center cavity of **(A) Holder**. Route USB-C cable through bottom center hole.
- 2** Place your phone in holder to ensure proper alignment with wireless charger. Adjust bottom support of **(A) Holder** as needed to better align phone with charger. Once aligned, cover cord with **(C) Anti-Slip Cover**.



For use without Wireless Charger

- 1** Adhere optional **(L) Decal** onto **(B) Anti-Slip Pad**. Connect **(B) Pad** and **(C) Cover** onto the front of **(A) Holder**.

