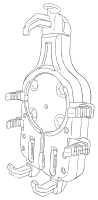


## Parts Index

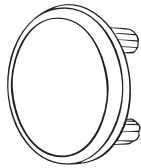
\* not to scale

Patented & Pats. Pend.  
rammount.com/ip



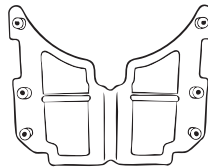
**A**

(1) Quick-Grip™ Pro Holder



**B**

(1) Anti-Slip Pad



**C**

(1) Anti-Slip Cover



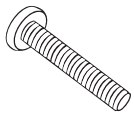
**D**

(3) Top & Bottom Caps



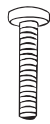
**E**

(4) Side Caps



**F**

(2) #6-32 x 3/4" Screws



**G**

(2) #6-32 x 5/8" Screws



**H**

(2) #6-32 Nylock Nuts



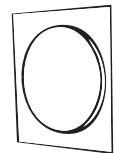
**I**

(1) Tether



**J**

(1) Decal

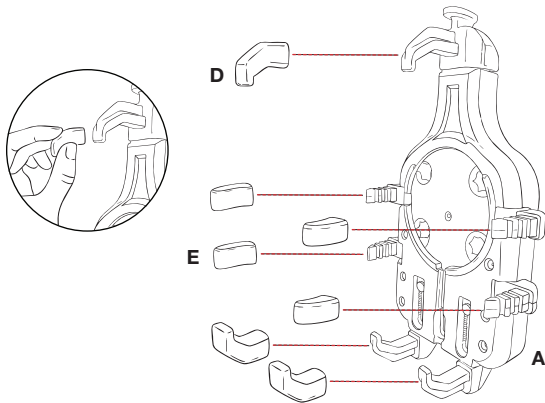


**K**

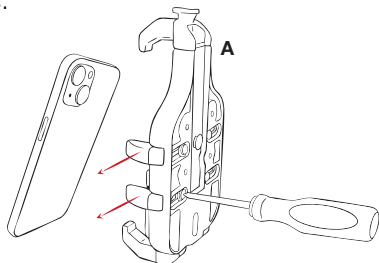
(1) 53mm Adhesive Pad

### Adjust to Your Phone

- 1 Attach **(D) Caps** to top & bottom supports of **(A) Holder**. Connect **(E) Caps** to the four side arms.



- 2 Insert your phone into **(A) Holder**. Adjust the side arms by loosening the screws in the back. Position the arms against the side of your phone and tighten the screws.



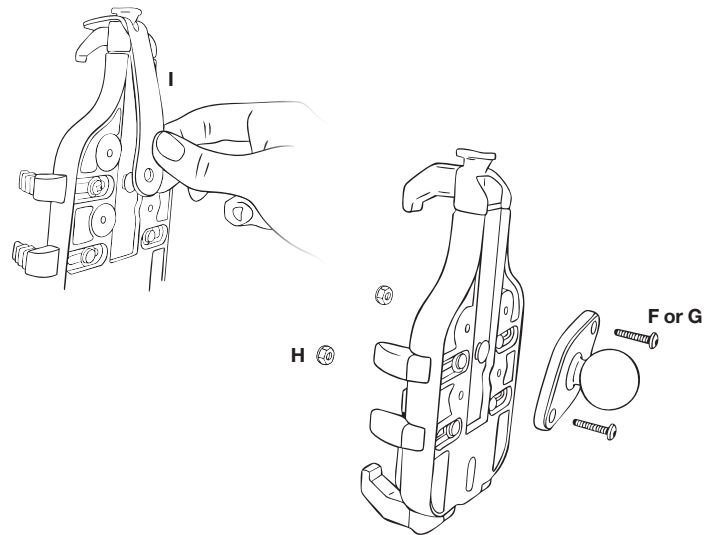
**Troubleshoot:** If a side arm is blocking one of the phone's buttons:

You may remove the side arm blocking the button, but there must be at least one arm on each side at all times.

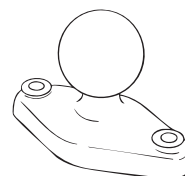
You may adjust the position of the bottom support by loosening the two front screws. This will help offset the bottom away from the arm. **Bottom support adjustment may be limited if connecting a wireless charger.**

### Connect Ball and Tether

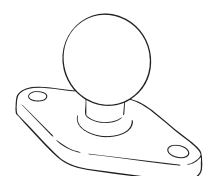
- 3 Optional **(I) Tether** recommended for rugged environments and open cockpit applications.



- 4 Use **(F) Screws** for Composite Diamond Ball and **(G) Screws** for Metal Diamond Ball.



Composite Diamond Ball



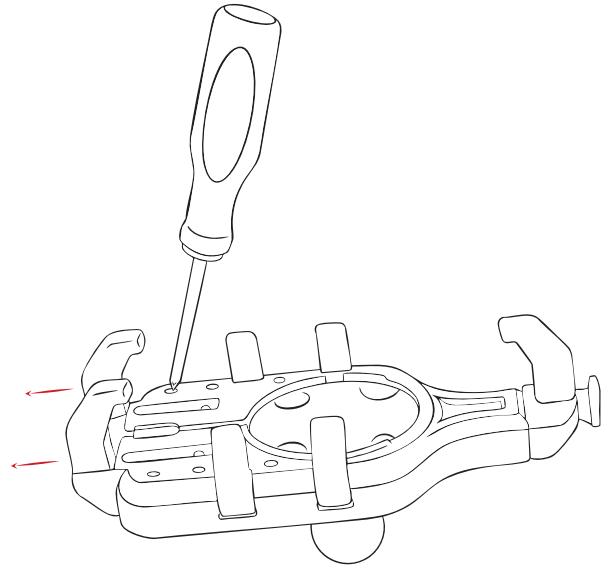
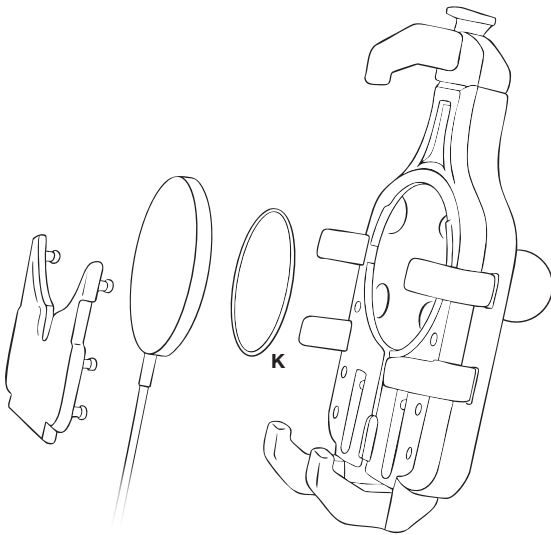
Metal Diamond Ball

RMR-INS-PD5

### For use with Wireless Charger

**1** Use **(K) Adhesive** to connect to back of your wireless charger and adhere to center cavity of **(A) Holder**. Route USB-C cable through bottom center hole.

**2** As needed, adjust bottom support of **(A) Holder** as needed to align phone with charger.



### For use without Wireless Charger

**1** Adhere optional **(J) Decal** onto **(B) Anti-Slip Pad**. Connect **(B) Pad** and **(C) Cover** onto the front of **(A) Holder**.

