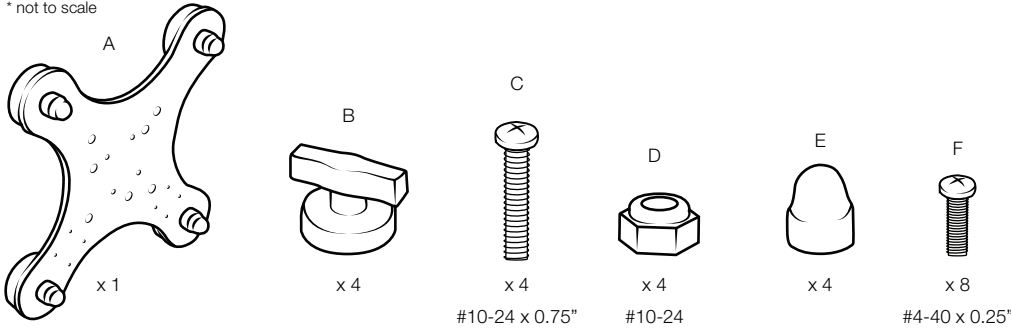
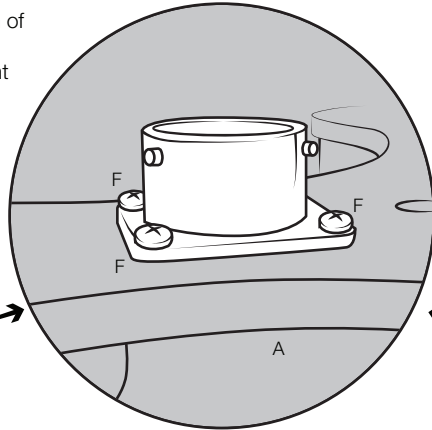
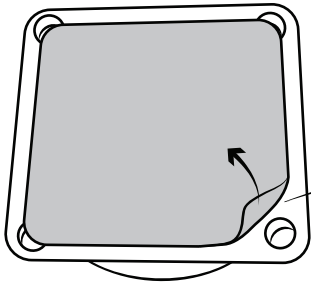


Parts Index

* not to scale

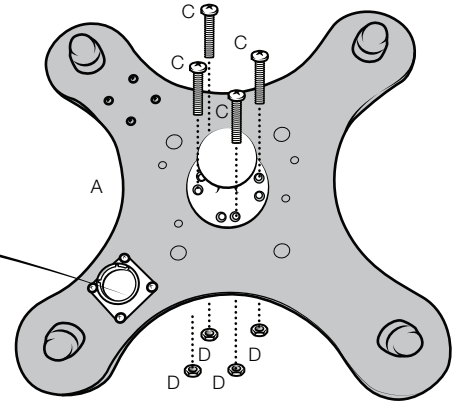


- 1 Remove the adhesive from the bottom of the dummy receptacle for the display adapter before securing it to (A) 4-point base with (F) hardware.

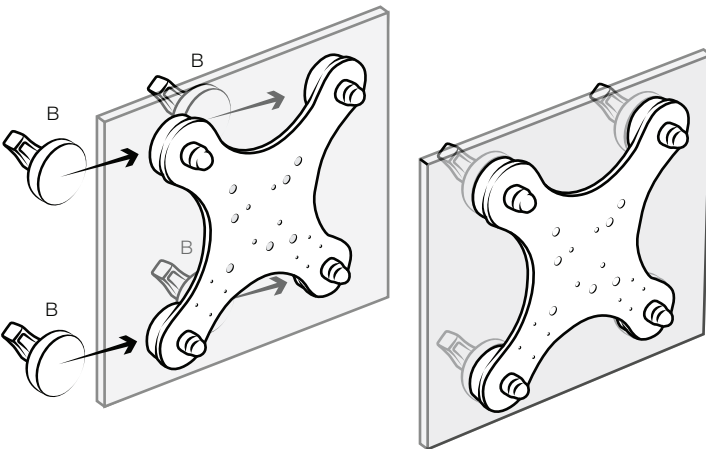


Attached receptacle holds display cable in place while the device is not mounted.

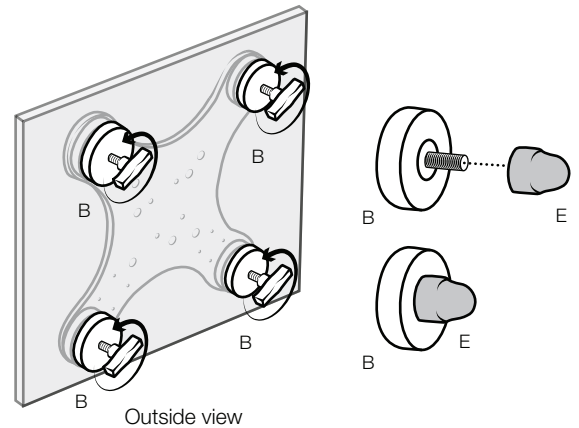
- 2 Use (C) screws and (D) nuts to secure the RAM® ball base to (A) 4-point base.



- 3 While holding the 4-point base in place, slide (B) magnetic handles one at a time against the outside of the glass towards each magnet until the 4-point base is secured to the window.



- 4 Firmly hold the base of each (B) magnetic handle while twisting the knob counter clockwise to loosen until removed. Cover each of the exposed threads with (E) rubber thread caps by pressing on until flush.



Pats. Pending

RMR-INS-MAG48



Safety Precaution

Do not install this product near or over an airbag deployment area or in a location that obstructs the driver's vision or interferes with vehicle operation. National Products, Inc does not assume responsibility or liability for any such personal injury, death or property damage.