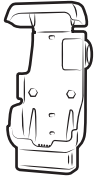


Patented & Pats. Pend.

Part Index

*not to scale



A
x1



B
x1



C
x1



D
x2
#8-32 x 5/8"



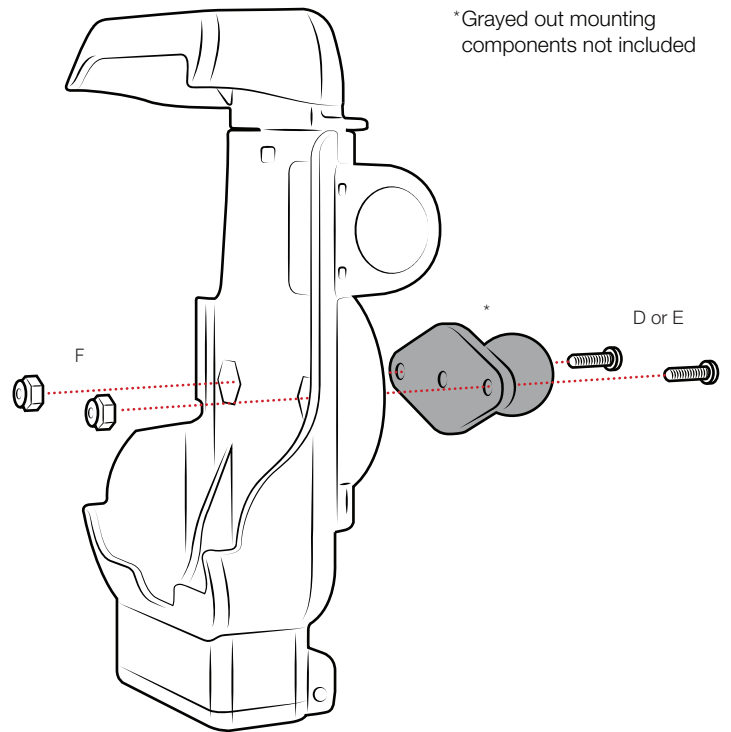
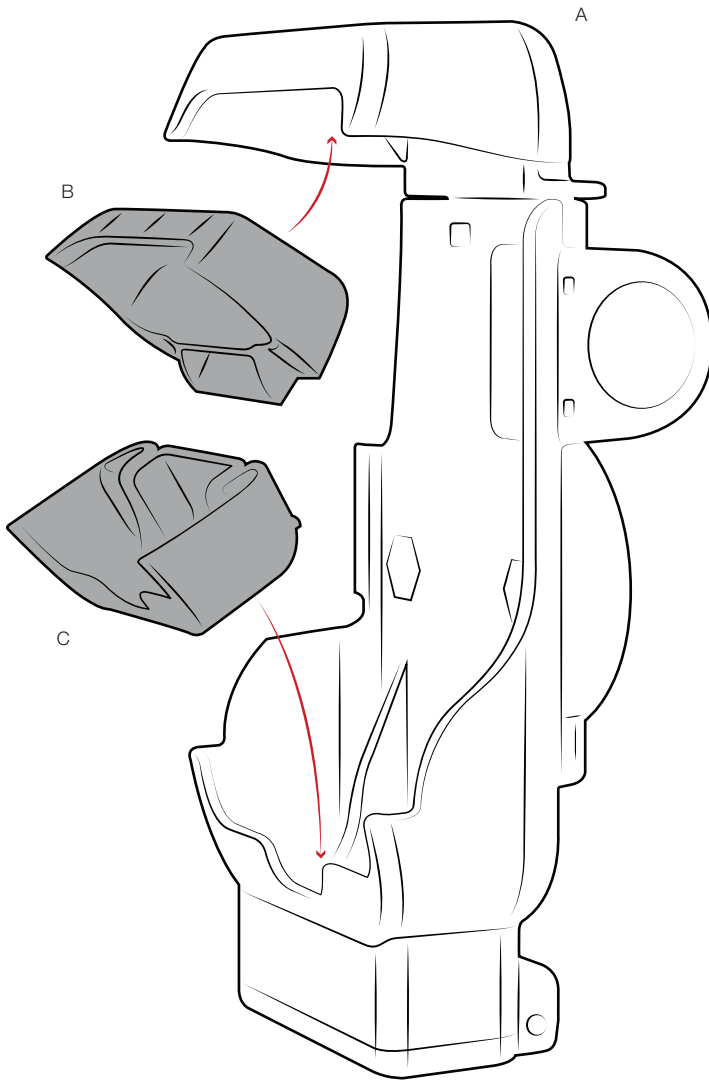
E
x2
#8-32 X 3/4"



F
x2

1 If your Honeywell device does not have a Protective Boot, insert (B) and (C) Inserts into the top and bottom cups of (A) Dock. If your device has the Protective Boot installed, do not use inserts.

2 Connect mounting components to (A) Dock using (D) or (E) Screws and (F) Nuts as shown.



RMR-INS-HON12



Safety Precaution

Do not install this product near or over an airbag deployment area or in a location that obstructs the driver's vision or interferes with vehicle operation. National Products, Inc does not assume responsibility or liability for any such personal injury, death or property damage.