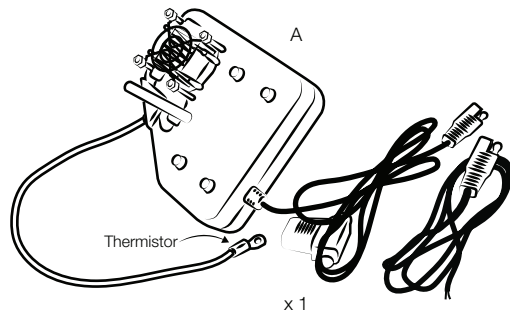


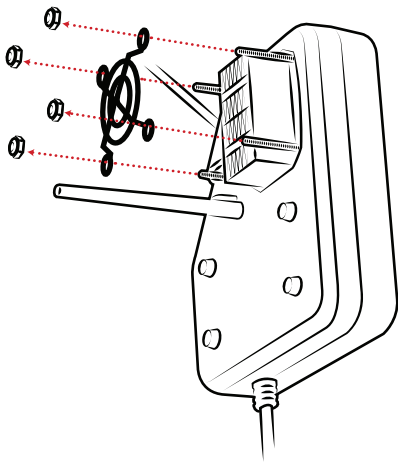
## Parts Index

\* not to scale

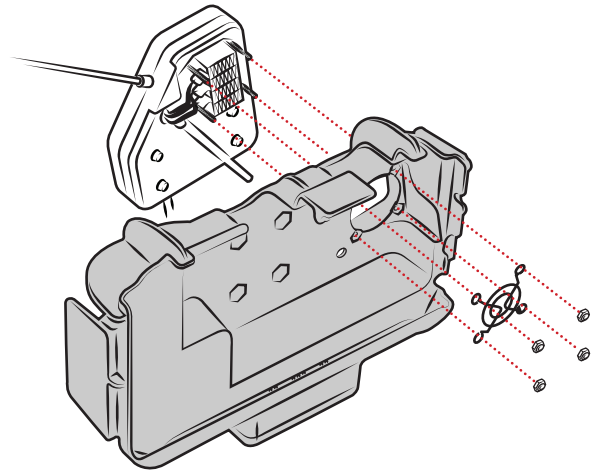


Patented & Pats. Pend.

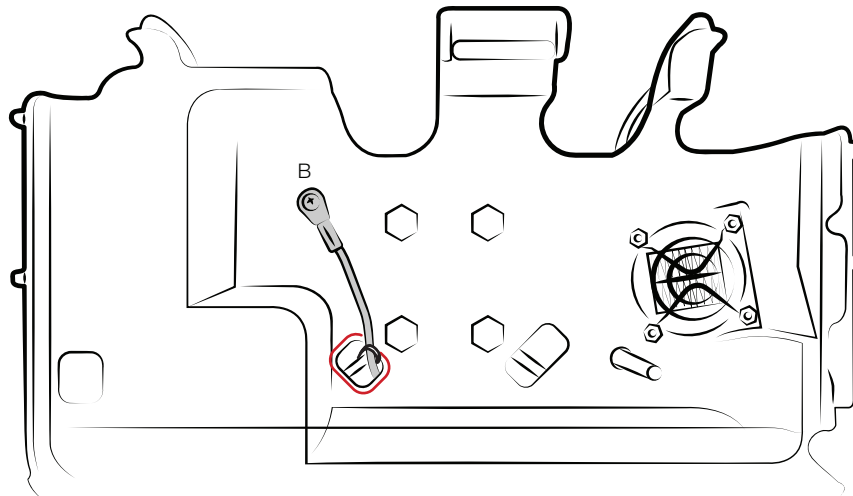
1 Disassemble (A) RAM® Temp-Right™ Assembly as shown.



2 Reassemble (A) RAM® Temp-Right™ to dock as shown.  
**Dock style may vary**



3 Route thermistor into dock and attach inside of dock using (B) Screw and secure cable with included zip tie to provide strain relief.



RMR-INS-HEATER1



### Safety Precaution

To ensure safe installation of any new products, please refer to your car manual. RAM® Temp-Right™ should only be secured to a RAM® or GDS® Vehicle Dock and should not be held while in use. It is important to avoid any contact with the heating element area while in use, and to keep away from moisture at all times. Ensure small parts and components are always kept away from children, and that children or pets are never left unattended in vehicle. Do not install this product near or over an airbag deployment area or in a location that obstructs the driver's vision or interferes with vehicle operation. National Products, Inc does not assume responsibility or liability for any personal injury, death, or property damage that may occur.