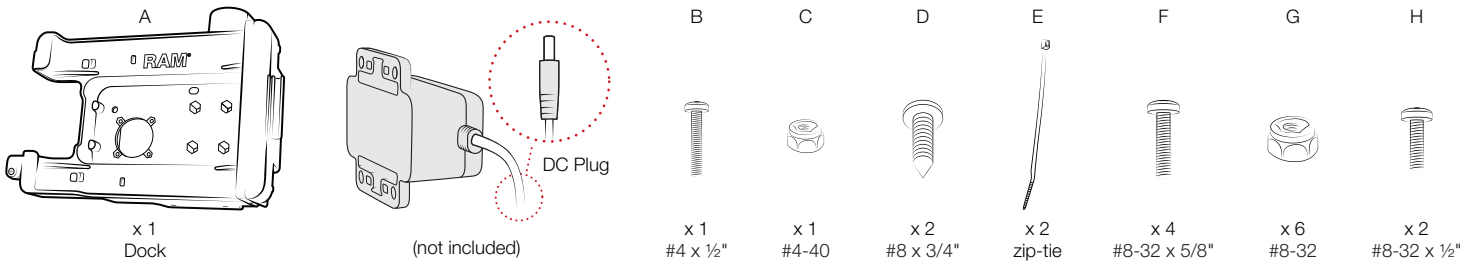


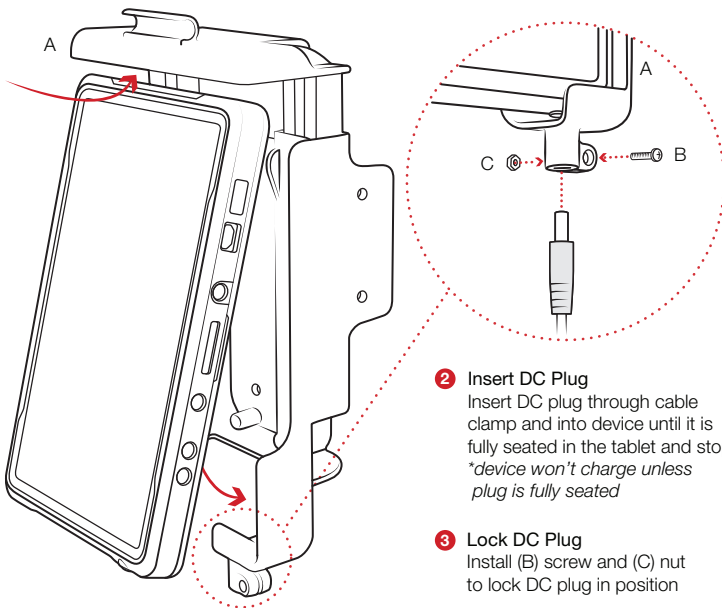
Patented & Pats. Pend.

Parts Index *not to scale



1 Install Device into Dock

Make sure charge port on device is aligned with cable clamp on (A) dock

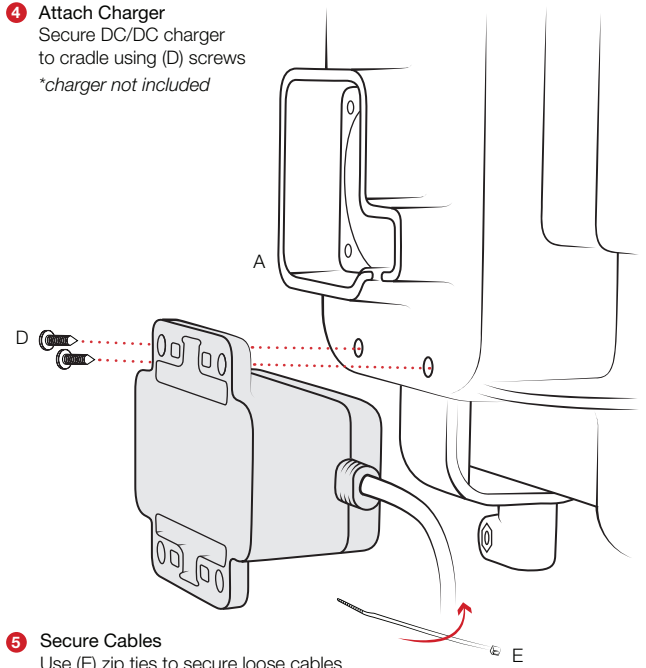


2 Insert DC Plug
Insert DC plug through cable clamp and into device until it is fully seated in the tablet and stops
**device won't charge unless plug is fully seated*

3 Lock DC Plug
Install (B) screw and (C) nut to lock DC plug in position

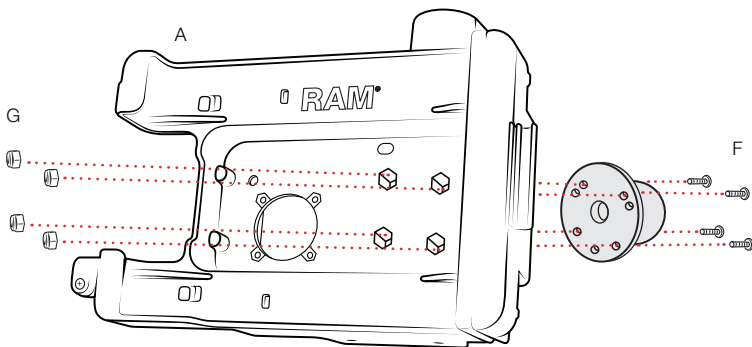
4 Attach Charger

Secure DC/DC charger to cradle using (D) screws
**charger not included*

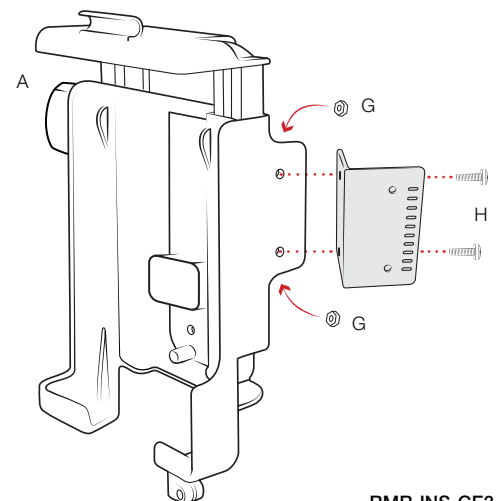


5 Secure Cables
Use (E) zip ties to secure loose cables

6 OPTIONAL Attach Ball Base



7 OPTIONAL Attach Accessory Bracket



RMR-INS-GE3



Safety Precaution

Do not install this product near or over an airbag deployment area or in a location that obstructs the driver's vision or interferes with vehicle operation. National Products, Inc. does not assume responsibility or liability for any such personal injury, death or property damage.