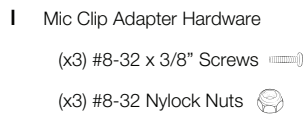
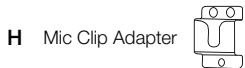
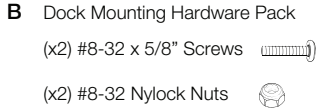
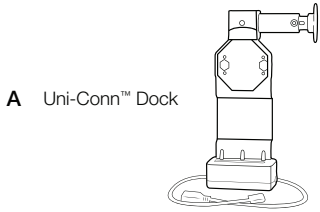
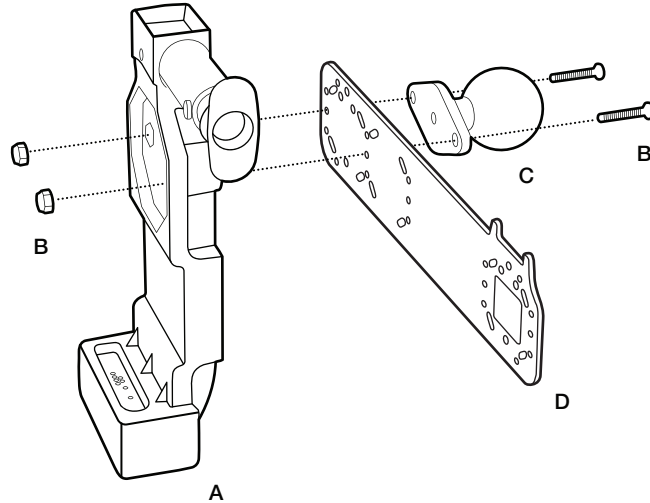


Parts Index

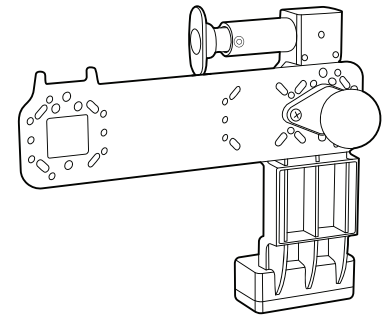
* Not to scale



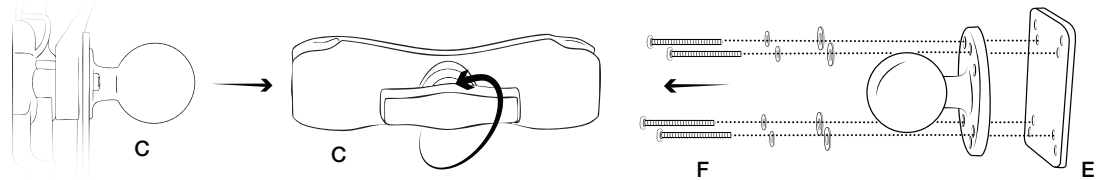
- 1** Assemble **(C) Double Ball Mount** with **(D) Mounting Bracket** and **(A) Uni-Conn™ Dock** using the **(B) Dock Mounting Hardware Pack**.



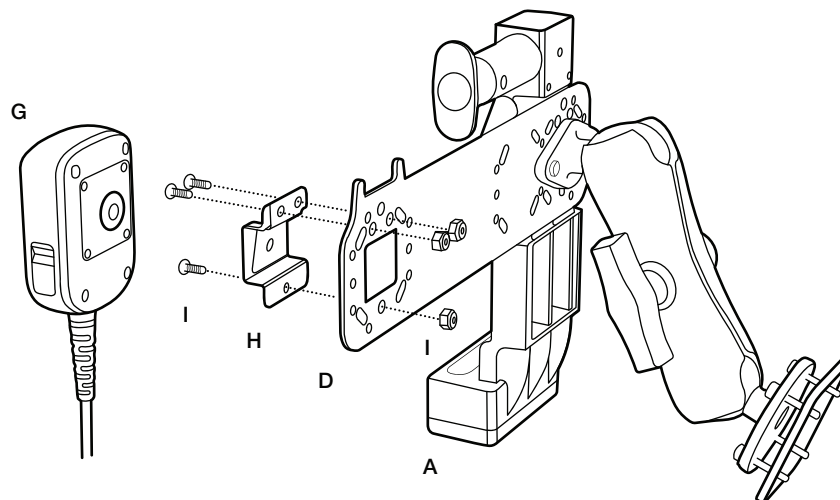
Completed Step 1 Assembly View



- 2** Connect **(C) Double Ball Mount** to **(E) Backing Plate** using **(F) Backing Plate Hardware Pack**.



- 3** Connect the **(H) Mic Clip Adapter** to **(D) Mounting Bracket** using the **(I) Mic Clip Adapter Hardware**.



RMR-INS-GDS-U4-RSM

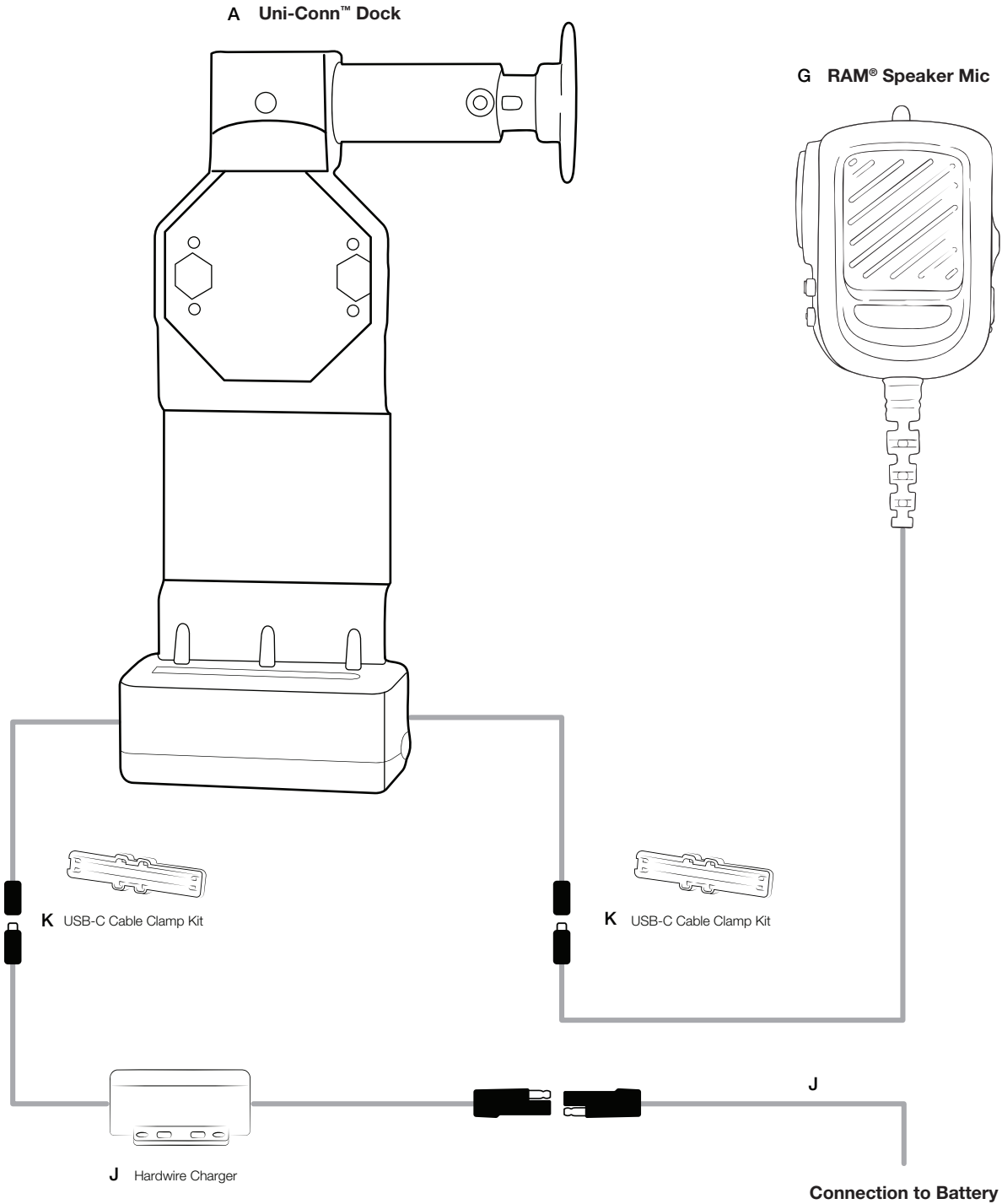


Safety Precaution

Do not install this product near or over an airbag deployment area or in a location that obstructs the driver's vision or interferes with vehicle operation. National Products, Inc does not assume responsibility or liability for any such personal injury, death or property damage.

Wiring and Retention Diagram

Patented & Pats. Pend.
rammount.com/ip



RMR-INS-GDS-U4-RSM



Safety Precaution

Do not install this product near or over an airbag deployment area or in a location that obstructs the driver's vision or interferes with vehicle operation. National Products, Inc does not assume responsibility or liability for any such personal injury, death or property damage.