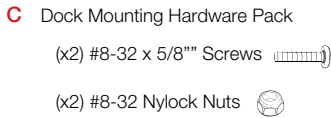
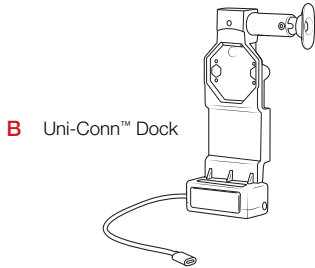
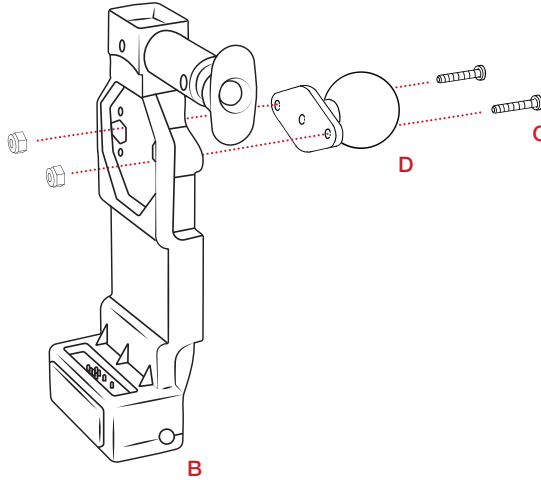


# Parts Index

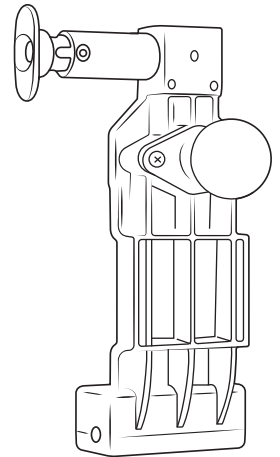
\* not to scale



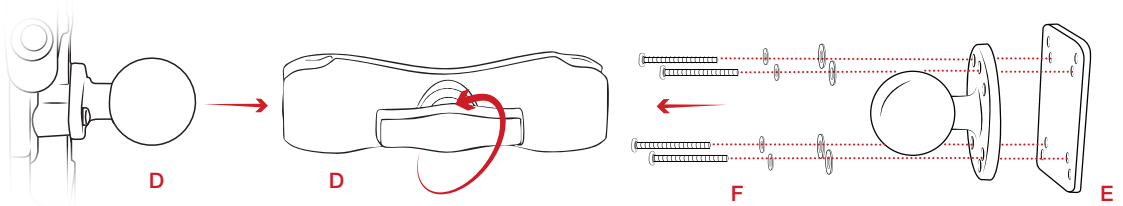
**1** Assemble **(D) Double Ball Mount** with **(B) Uni-Conn™ Dock** using the **(C) Dock Mounting Hardware Pack**.



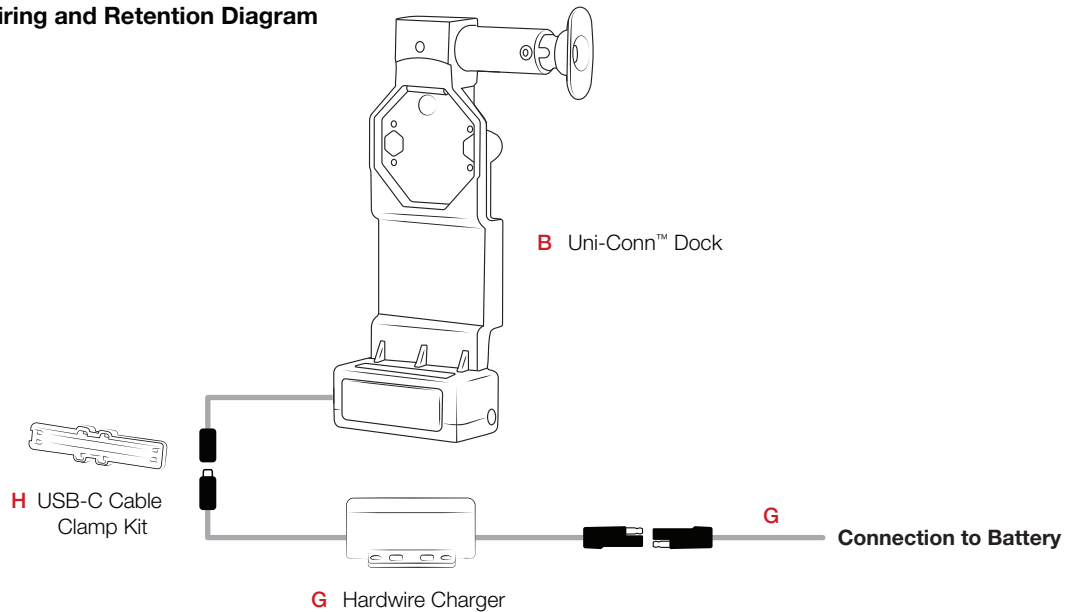
Completed Step 1 Assembly View



**2** Connect **(D) Double Ball Mount** to **(E) Backing Plate** using **(F) Backing Plate Hardware Pack**.



## Wiring and Retention Diagram



RMR-INS-GDS-U4-KIT1



### Safety Precaution

Do not install this product near or over an airbag deployment area or in a location that obstructs the driver's vision or interferes with vehicle operation. National Products, Inc does not assume responsibility or liability for any such personal injury, death or property damage.