

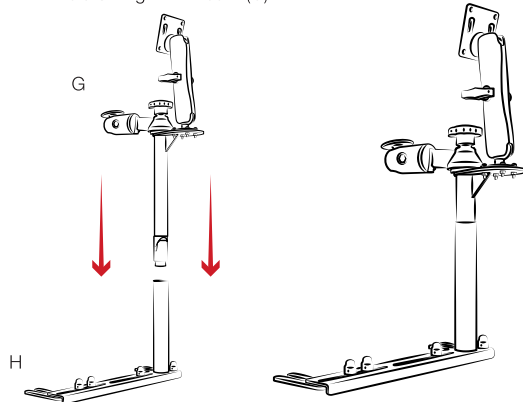
Please read all instruction guides and manuals that are included with this bundle before installation.

Part Index

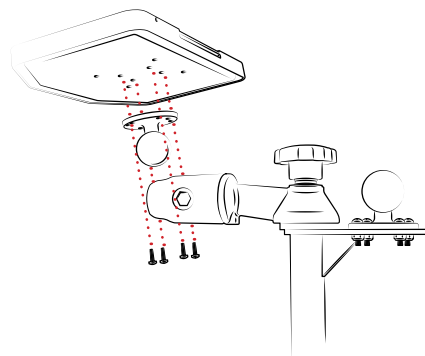
*not to scale

| | | |
|---|--------------|-----|
| A | | x 1 |
| B | | x 1 |
| C | | x 1 |
| D | | x 1 |
| E | | x 1 |
| F | | x 1 |
| G | | x 1 |
| H | | x 1 |
| I | | x 1 |
| J | | x 1 |
| K | | x 1 |
| L | #8-32 X 5/8" | x 4 |
| M | #8-32 | x 4 |
| N | | x 1 |

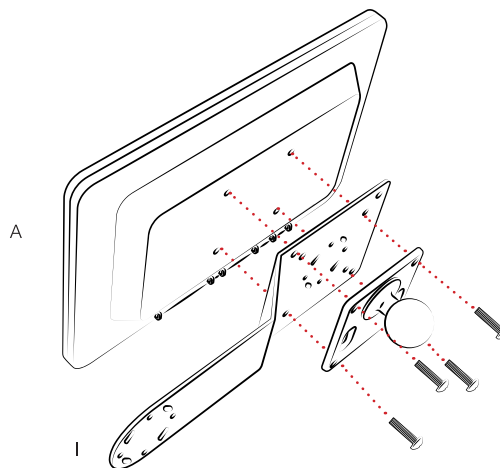
1 Follow supplementary instructions to install Vehicle Base (H) then insert Tele-Pole Swing Arm Mount (G).



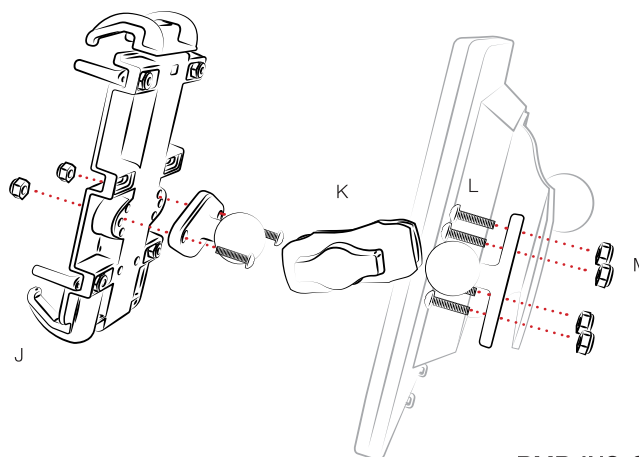
2 Attach to GDS® Keyboard (B) to Tele-Pole Swing Arm Mount (G). Use the hardware included with the keyboard. Remove ball from Tele-Pole for easier installation.



3 Connect the VESA Plate, part of the Tele-Pole Swing Arm (G), to the Display bracket (I) and the GDS® View™ (A) with the hardware included with the monitor. Adjust monitor and tighten the C sized double socket arm to lock in place.



4 Connect Phone Mount (K) to Display Bracket (I) with #8-32 X 5/8" Screws (L) and #8-32 Nuts (M). Connect Phone Holder (J) to the diamond ball side of Phone Mount (K). Hardware included with Phone Holder (J).



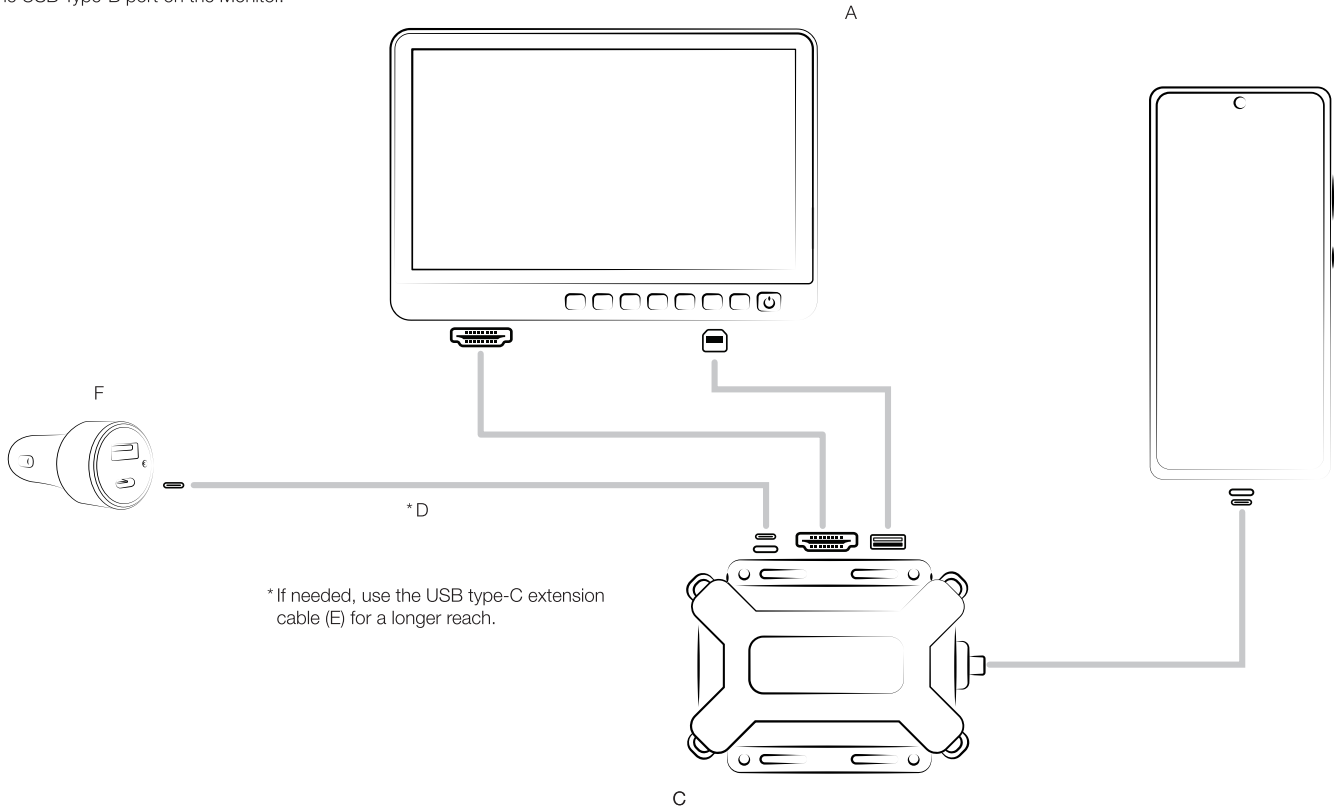
RMR-INS-GDS-ECO1



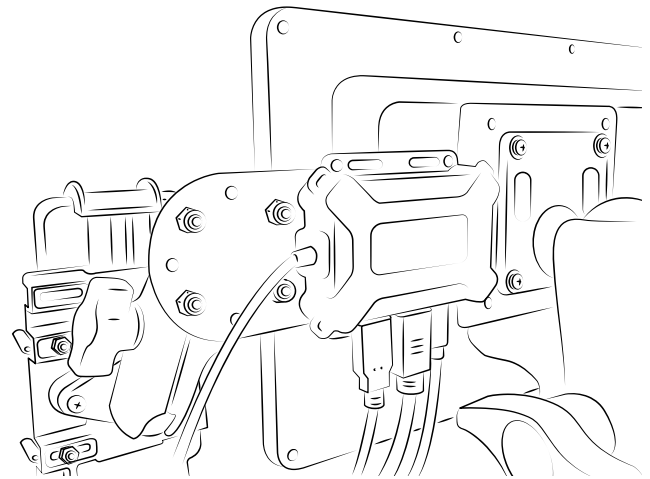
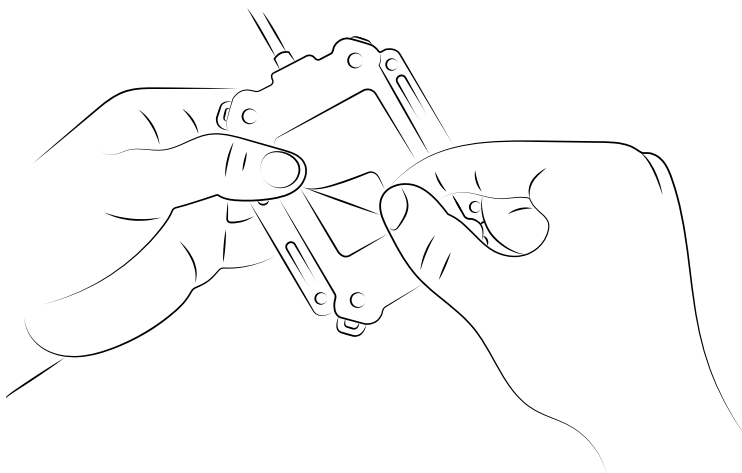
Safety Precaution

Do not install this product near or over an airbag deployment area or in a location that obstructs the driver's vision or interferes with vehicle operation. National Products, Inc does not assume responsibility or liability for any such personal injury, death or property damage.

- 5 To set up Samsung DeX, connect Type-C Male cable from the GDS® Tough-Hub™ (C) to the USB Type-C port on your device. Connect the USB Type-C Power Delivery cable (D) to the CLA Charger (F). If needed, use the USB type-C extension cable (E) for a longer reach. Connect the HDMI cable to the GDS® Tough-Hub™ and the GDS® View monitor (A). Lastly, connect the USB Type-A Port to the GDS® Tough-Hub™ and the opposite end to the USB Type-B port on the Monitor.



- 6 Use the included adhesive pad (N) to attach the GDS® Tough-Hub™ (C) to the back of the Display bracket (I).



RMR-INS-GDS-ECO1



Safety Precaution

Do not install this product near or over an airbag deployment area or in a location that obstructs the driver's vision or interferes with vehicle operation. National Products, Inc does not assume responsibility or liability for any such personal injury, death or property damage.