



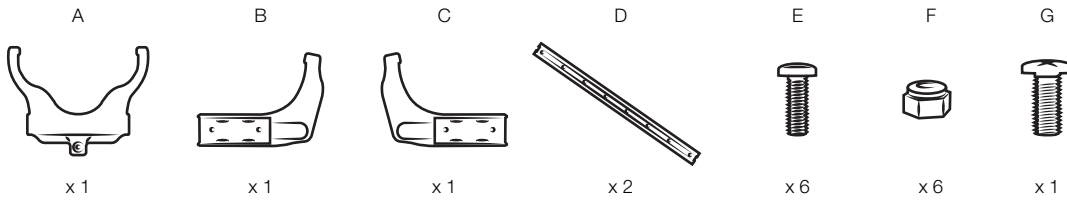
Please read through these instructions carefully prior to installation.



Scan or click to watch the video instructions

## Parts Index

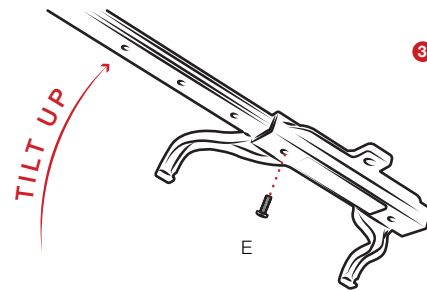
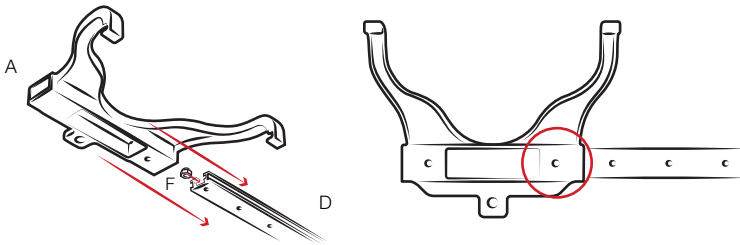
\* not to scale



Patented

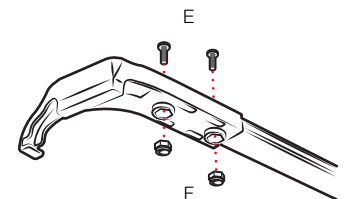
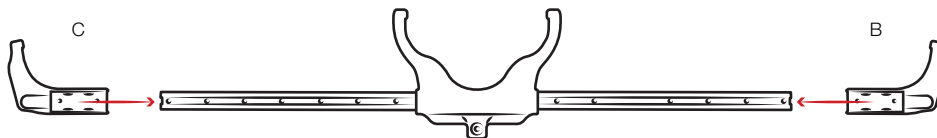
- 1 Insert one (F) Nut into one of the (D) Tracks, nylon side facing up. Insert the end of (D) Track into the side of (A) Center Body, lining the Track hole with the Center Body hole.

- 2 When tilted, the (F) Nut should slide into place, aligning with the hole. Secure in place using one (E) Screw.



- 3 Repeat on the opposite side of (A) Center Body using additional (D) Track, (F) Nut, and (E) Screw.

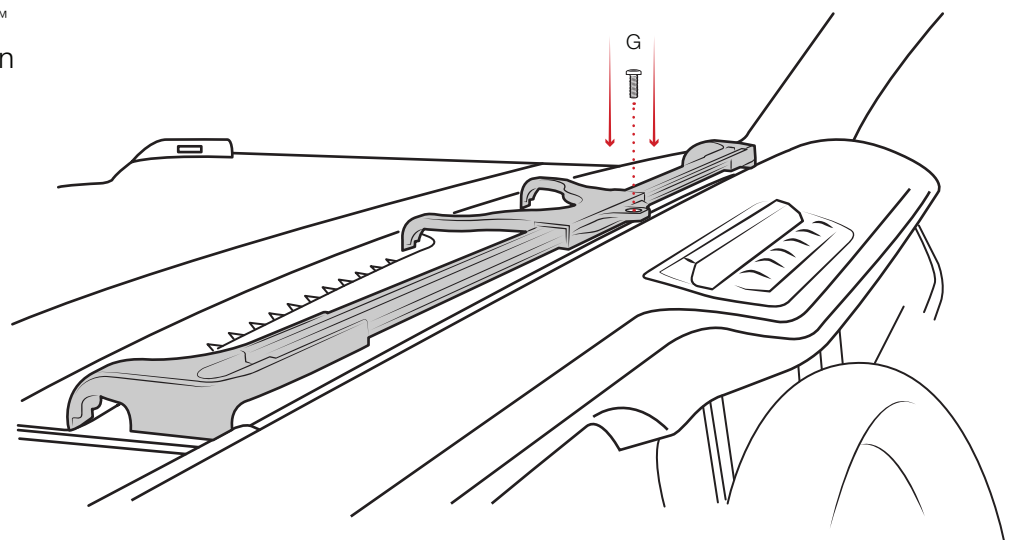
- 4 Connect (B) and (C) ends to the opposite ends of (D) Tracks using the remaining (E) Screws and (F) Nuts. Hooks on (A), (B), and (C) parts should face the same direction.



- 5 Place the RAM® Tough-Track™ directly onto the dash and align the rear hooks into the defrost ducts. Secure (G) screw to center screw hole.



Upgrade with the optional **RAM® Tough-Ball™ with 1/4"-20 x .50" Stud & Lock Washer - B Size** for an additional mounting point.



Part#: RAP-B-379U-252050-SLW

RMR-INS-FB22