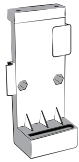


Part Index

*not to scale



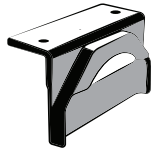
A

(1) Dock Assembly



B

(2) Keys



C

(1) Top Cup



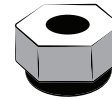
D

(2) #8-32 x 1/2" Screws



E

(2) #8-32 x 5/8" Screws



F

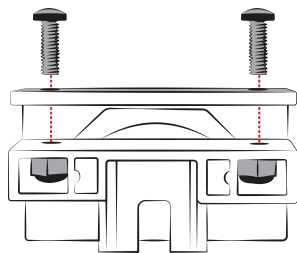
(4) #8-32 Nylock Nuts



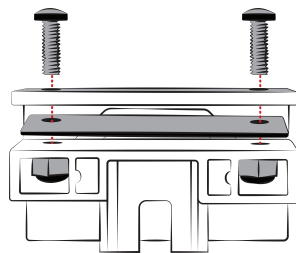
G

(1) Shim

- 1 Connect **(C) Top Cup** to the **(A) Dock Assembly** using **(D) Screws** and two **(F) Nuts**. If your device is in the Shim-Required Devices list, position **(G) Shim** between the **(C) Top Cup** and **(A) Dock Assembly**.

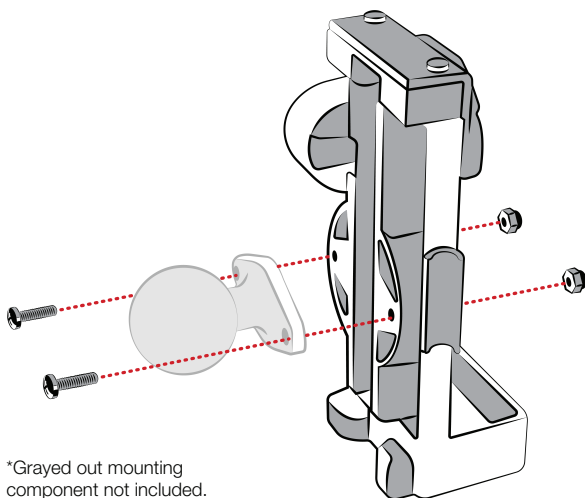


Without Shim



With Shim

- 2 Connect mounting component to **(A) Dock Assembly** using **(E) Screws** and remaining **(F) Nuts**.



*Grayed out mounting component not included.

Shim-Required Devices

Devices in this list require the use of the **(G) Shim** in your assembly. This shim will ensure proper alignment of the locking mechanism. If your device is not in this list, do not use the **(G) Shim**.

Make	Model
Apple	iPad 10.9 (10th Gen)
Samsung	Tab A 10.1
	Tab A 8.0 (2019)
	Tab A 8.4
	Tab A7 Lite 8.7"
	Tab Active2
	Tab Active3
	Tab S7+
	Tab S7 FE 12.4"
	Tab S8+
Tab S9 FE+	

RMR-INS-DOCKL-V12-U1



Safety Precaution

Do not install this product near or over an airbag deployment area or in a location that obstructs the driver's vision or interferes with vehicle operation. National Products, Inc does not assume responsibility or liability for any such personal injury, death or property damage.