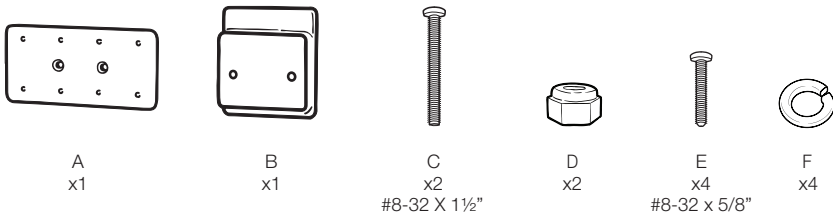
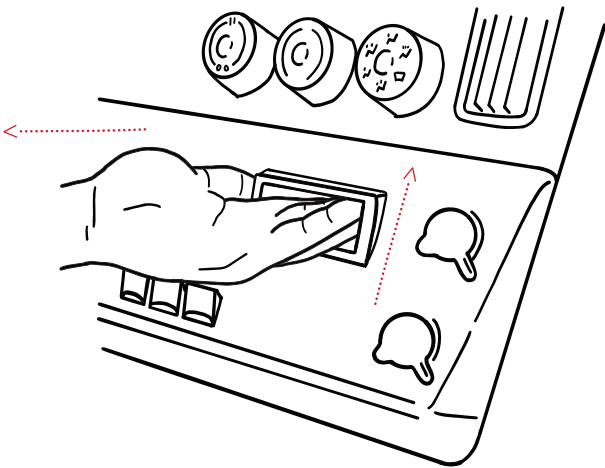


## Part Index

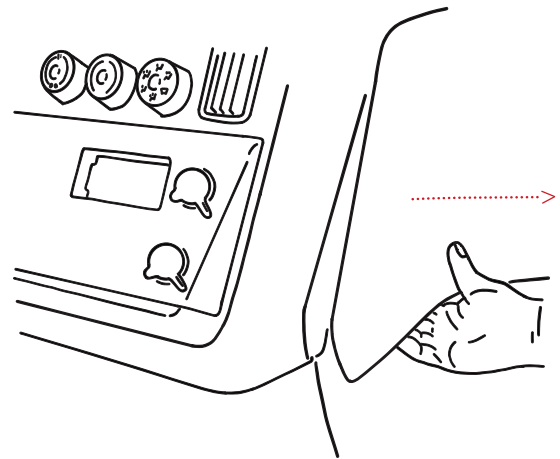
\*not to scale



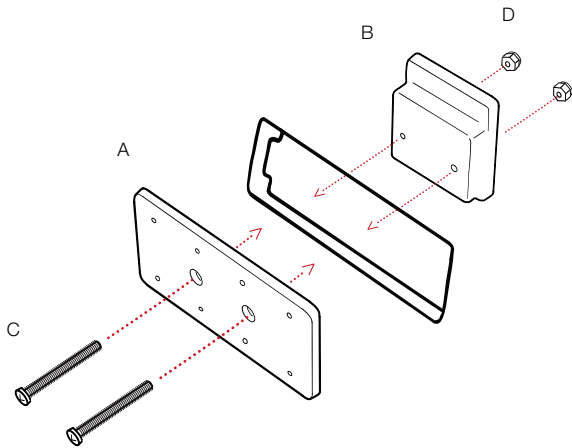
- 1 Remove desired switch or accessory pocket from dash. For accessory pockets, press upwards towards the back and outward to remove.



- 2 Remove passenger side dash cover as shown. This will allow access for holding the assembly in place while tightening.

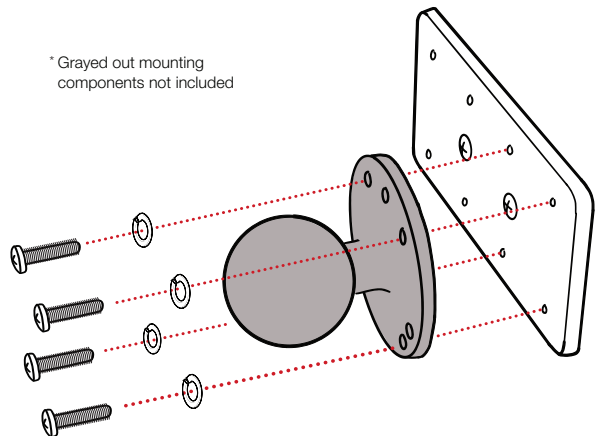


- 3 Place (D) Nuts in pockets of (B) Back Plate, nylon side facing outward. While holding nuts in place, position back plate with nuts behind the open hole in the dashboard. Connect (A) Front Plate from the front of the dashboard and attach to (B) Back Plate using (C) Screws.



- 4 Connect ball base to any 4-Hole AMPS pattern using (E) Screws and (F) Washers.

\* Grayed out mounting components not included



RMR-INS-467



### Safety Precaution

Do not install this product near or over an airbag deployment area or in a location that obstructs the driver's vision or interferes with vehicle operation. National Products, Inc does not assume responsibility or liability for any such personal injury, death or property damage.