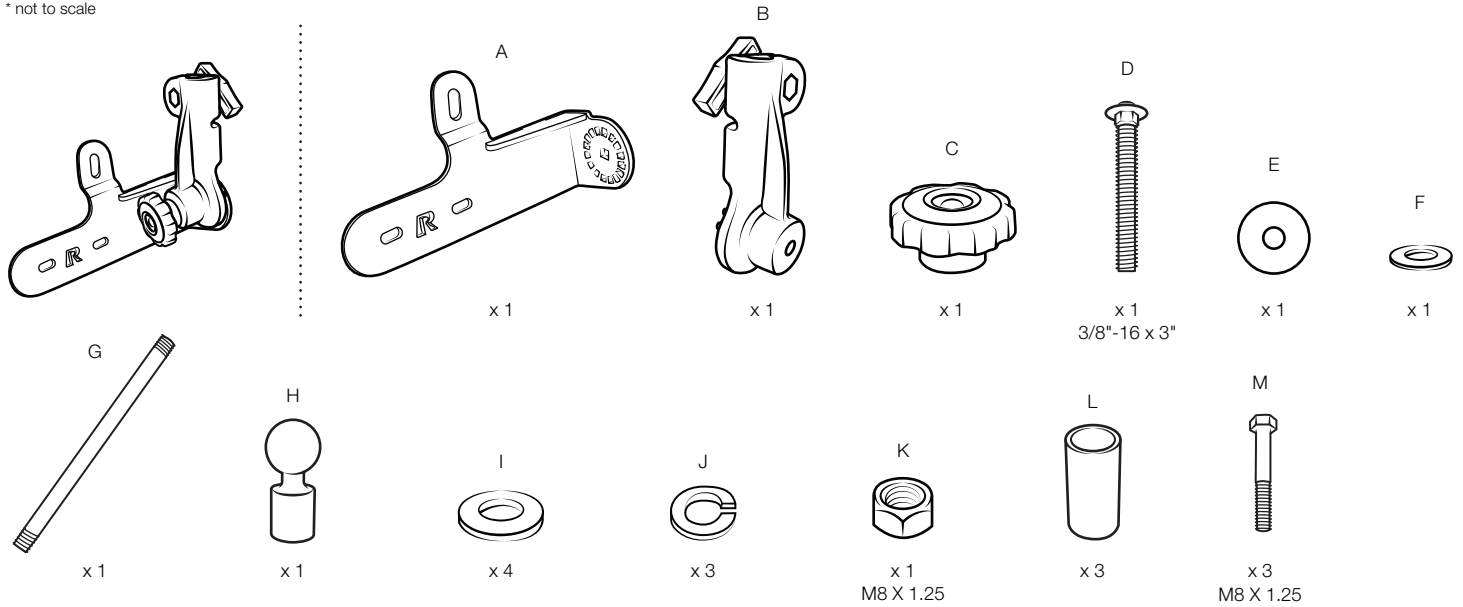
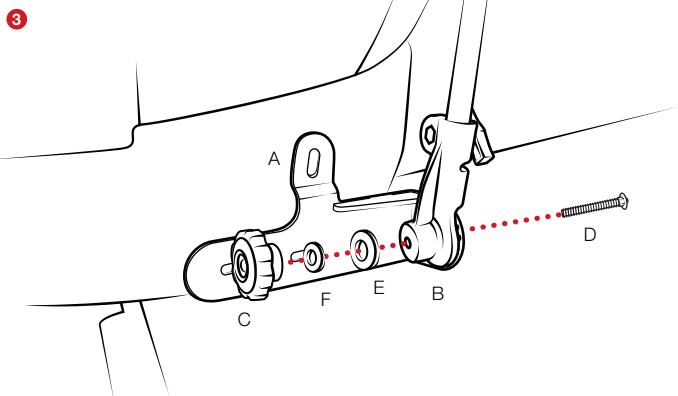
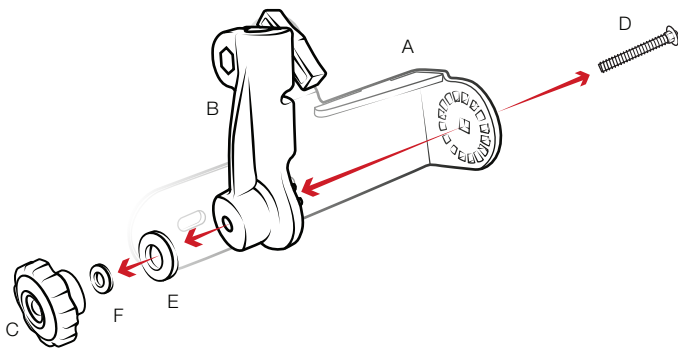


Parts Index

* not to scale

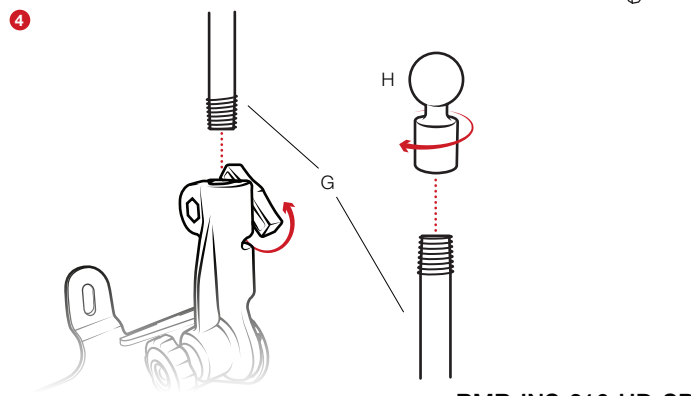
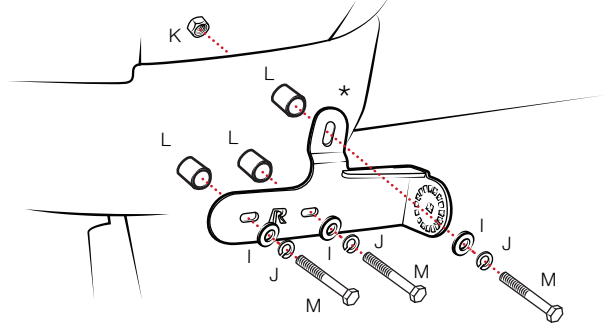


1 Disassemble the base subassembly.



2 Expose and remove the factory trim from your vehicle. Drill holes in the trim to accommodate each of the 3 (L) Spacers. Position the spacers in each hole, and connect the base using (I) washers, (J) lock washers and (M) bolts. For the third raised hole, drill an additional hole into the metal framing and secure with the (K) nut.

*Higher bolt will need to be drilled in for added stability



RMR-INS-316-HD-SPR



Safety Precaution

Do not install this product near or over an airbag deployment area or in a location that obstructs the driver's vision or interferes with vehicle operation. National Products, Inc does not assume responsibility or liability for any such personal injury, death or property damage.